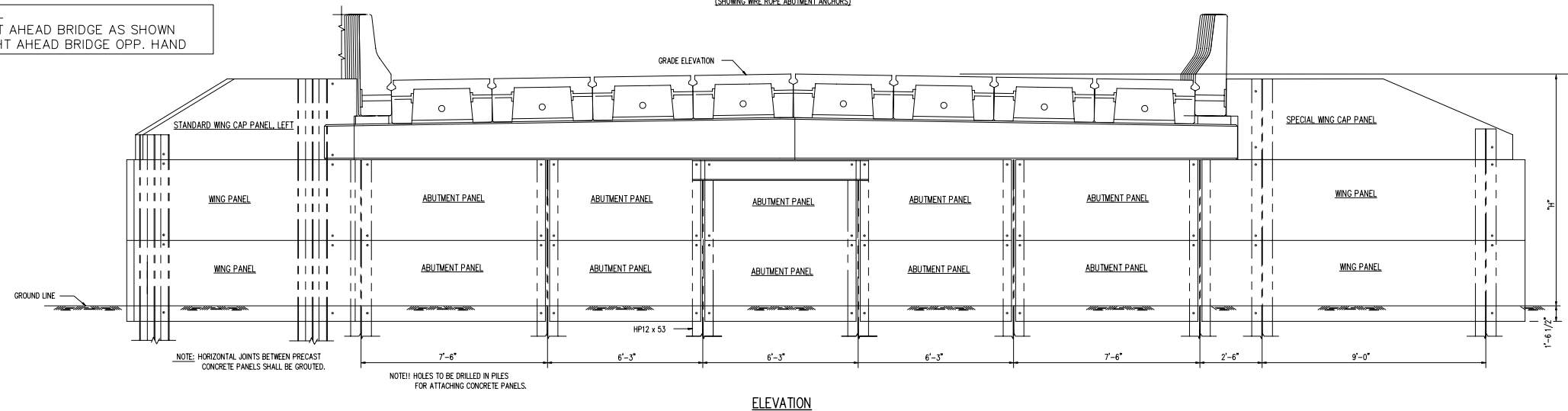
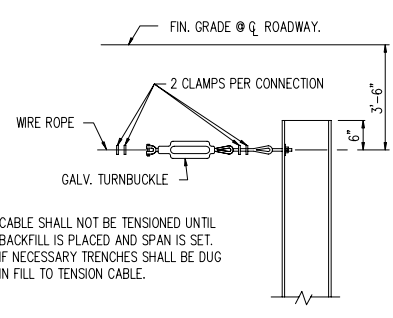
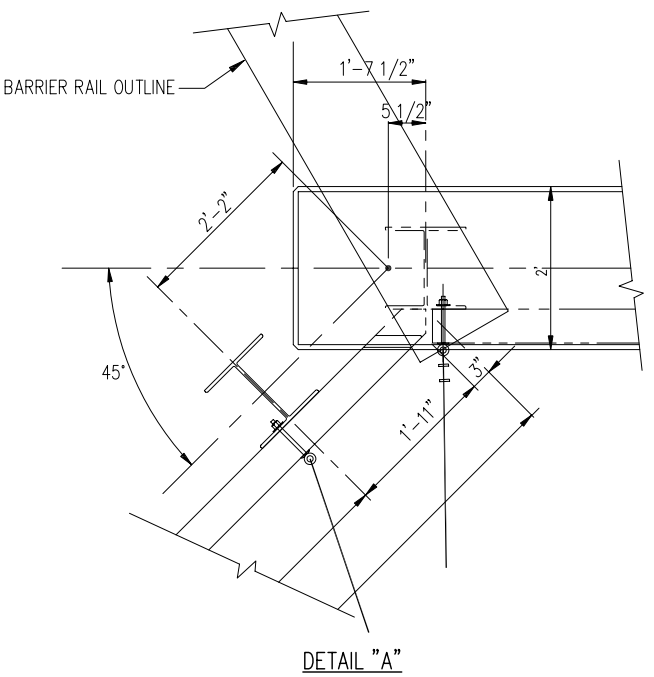


NOTE:
LEFT AHEAD BRIDGE AS SHOWN
RIGHT AHEAD BRIDGE OPP. HAND

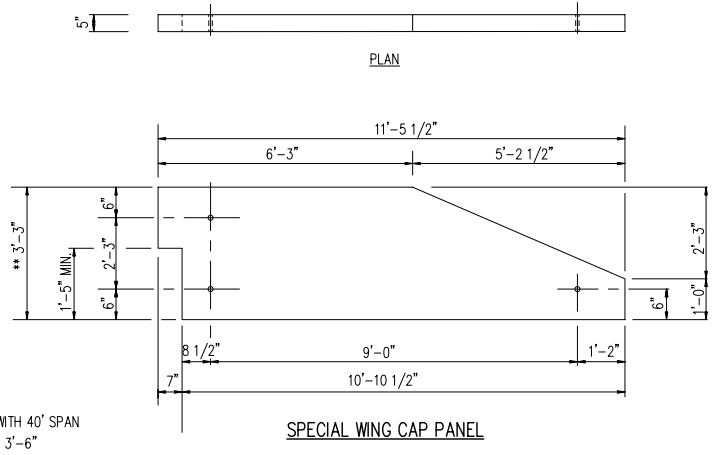


NOTE: FACE OF PANELS SHALL BE PERMANENTLY MARKED BY FABRICATOR FOR ERECTION.

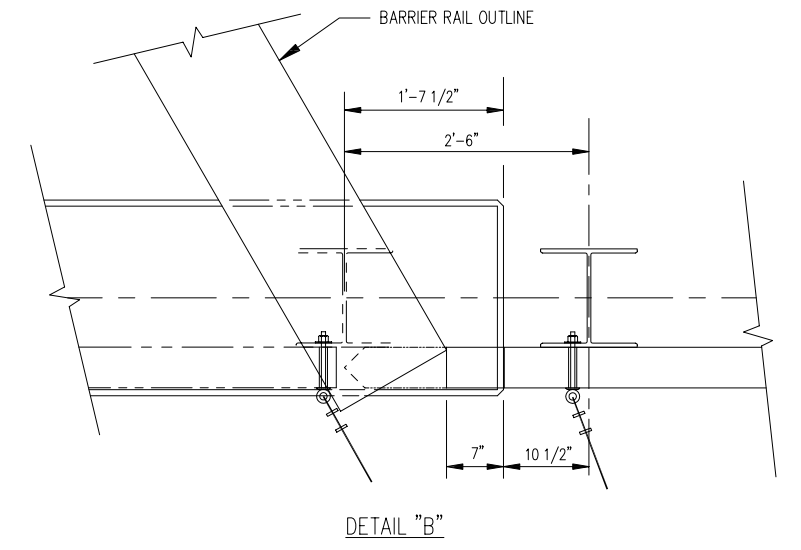


NOTE: CABLE SHALL NOT BE TENSIONED UNTIL BACKFILL IS PLACED AND SPAN IS SET. IF NECESSARY TRENCHES SHALL BE DUG IN FILL TO TENSION CABLE.

NOTE: THE CONTRACTOR SHALL HAVE THE OPTION OF ATTACHING THE TURNBUCKLE DIRECTLY TO THE U-BOLT ON THE ANCHOR PILE.



** NOTE: WHEN USED WITH 40' SPAN BRIDGE, CHANGE TO 3'-6"



GENERAL NOTES

SPECIFICATIONS:
AASHTO STANDARD SPECIFICATIONS FOR HIGHWAY BRIDGES
AASHTO STANDARD SPECIFICATIONS FOR TRANSPORTATION MATERIALS
AMERICAN SOCIETY FOR TESTING AND MATERIALS

CONCRETE:
CONCRETE SHALL CONFORM TO AASHTO CLASS AE WITH A MINIMAL 28 DAY BREAKING STRENGTH OF 3000 PSI. ALL EXPOSED CORNERS SHALL BE ROUNDED TO A 1/4" RADIUS UNLESS OTHERWISE NOTED.

REINFORCING:
ALL REINFORCING STEEL SHOULD BE ACCURATELY LOCATED IN THE FORMS AND FIRMLY HELD IN PLACE. REINFORCING STEEL SHALL MEET THE REQUIREMENTS OF THE APPROPRIATE SECTION OF AASHTO M31, AASHTO M32, AASHTO M221 OR AASHTO M225. REINFORCING DIMENSIONS ARE TO THE ϕ 'S OF BARS UNLESS OTHERWISE NOTED. THE ABOVE STEEL WILL NOT BE PAID FOR DIRECTLY, BUT WILL BE CONSIDERED AS SUBSIDIARY TO THE ITEM OF PRECAST CONCRETE ABUTMENT PANELS.

HARDWARE:
ALL MACHINE BOLTS CONNECTING CONCRETE ABUTMENT PANELS TO PILING SHALL BE CONSIDERED INCIDENTAL TO THE WORK. ALL BOLTS SHALL CONFORM TO ASTM A-307 AND BE GALVANIZED IN ACCORDANCE WITH ASTM A-153.

BID ITEMS:
----- PRECAST CONCRETE ABUTMENT PANELS, TYPE ----- - EACH.
----- PRECAST CONCRETE WING PANELS TYPE ----- - EACH.
----- PRECAST CONCRETE ABUTMENT WING CAP PANELS - EACH.
----- PRECAST CONCRETE ABUTMENT WING CAP PANELS, SPECIAL - EACH.
----- WIRE ROPE ABUTMENT ANCHOR ASSEMBLY - PER EACH.

DESIGN DATA:
 $f_c = 1200 \text{ PSI}$; $f_s = 24,000 \text{ PSI}$; $N = 10$

NOTE: REFER TO STANDARD DRAWING PCP-2400 & PCP-2800 FOR ABUTMENT & WING PANEL DETAILS NOT SHOWN HEREON.

CBE CONECUH BRIDGE & ENGINEERING, LLC
P. O. Box 129 249 County Rd. 2227
Troy, Alabama 36081 Troy, Alabama 36079
334-566-7422

**PRECAST CONCRETE ABUTMENT PANELS
FOR USE WITH 32' & 40'
PRECAST CONCRETE SPANS
28'-0" CLEAR ROADWAY ON 30° SKEW**

DATE: 7/18/03 STANDARD DWG. NO.
PCP-2800 -30
SHEET NO. 1 OF 1