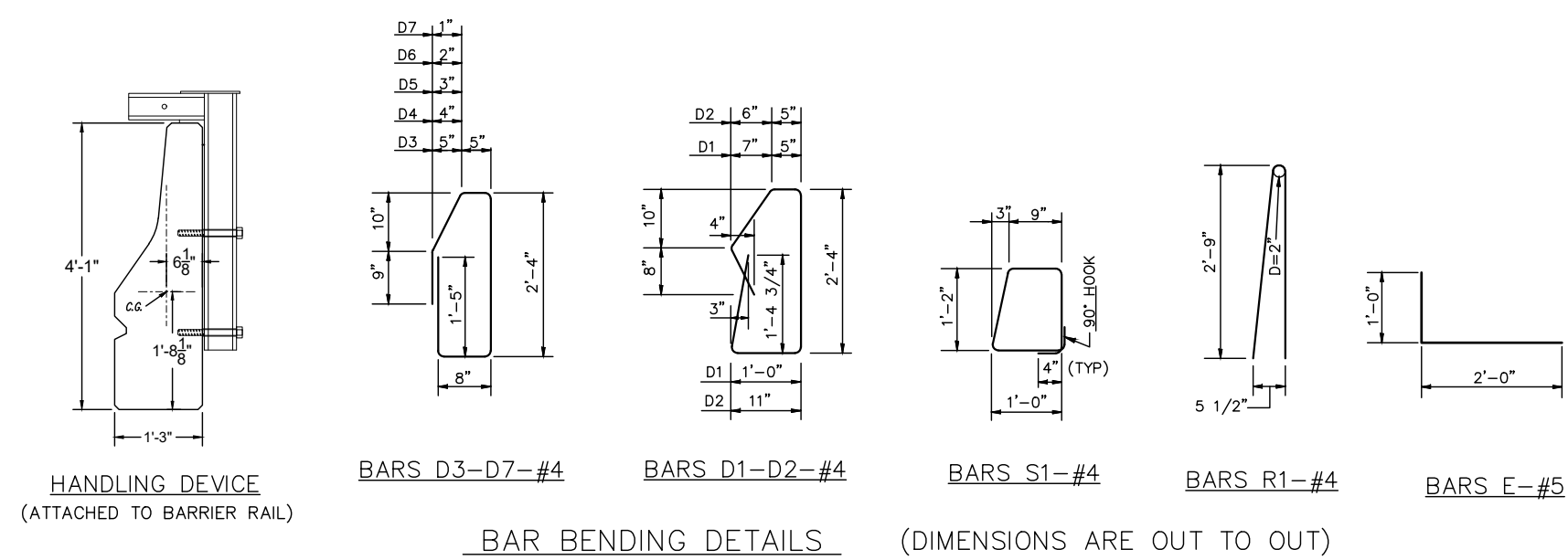


GUARDRAIL ATTACHMENT
SEE END ELEVATION THIS SH. FOR DETAILS & DIMENSIONS NOT SHOWN.



GENERAL NOTES:

SPECIFICATIONS:
AASHTO LRFD BRIDGE CONSTRUCTION SPECIFICATIONS
AASHTO STANDARD SPECIFICATIONS FOR TRANSPORTATION MATERIALS
AND METHODS OF SAMPLING AND TESTING
AMERICAN SOCIETY OF TESTING AND MATERIALS
AMERICAN INSTITUTE OF STEEL CONSTRUCTION

REINFORCING STEEL: ALL REINFORCING STEEL SHALL BE GRADE 60 BILLET STEEL MEETING THE REQUIREMENTS OF AASHTO M31. ALL REINFORCING STEEL SHALL BE ACCURATELY LOCATED IN THE FORMS AND PROPER CLEARANCES MAINTAINED WITH STAINLESS STEEL OR RUBBER TIPPED CHAIRS. REINFORCING DIMENSIONS ARE CENTER TO CENTER UNLESS OTHERWISE NOTED ON PLANS.

CONCRETE: CONCRETE SHALL CONFORM TO AASHTO CLASS A(AE). MINIMUM 28 DAY COMPRESSIVE STRENGTH SHALL BE 5000 PSI.

HARDWARE: ALL BOLTS SHALL CONFORM TO ASTM A-307 AND BE GALVANIZED IN ACCORDANCE WITH ASTM-A153.

SURFACE FINISH: SURFACES NOT PLACED AGAINST FORMS SHALL BE STRUCK OFF TO PROPER ELEVATION AND RECEIVE A WOOD FLOAT FINISH. SURFACE MAY THEN RECEIVE A BROOMED FINISH. ADDITIONALLY ALL EXPOSED SURFACES, EXCEPT BOTTOM SURFACE, SHALL BE COATED WITH A PRODUCT SUCH AS THOROCCOAT AS PRODUCED BY CHEMREX, INC. OR EQUAL.

DESIGN DATA:
SPECIFICATIONS:.....AASHTO 2017, 8TH EDITION AND ALL INTERIMS
DESIGN LOADING:.....BASED ON TL-4 CRASH TEST CRITERIA

457 St. Michael St. Mobile, AL 36602 (251) 433-1611

Cowles, Murphy, Glover & ASSOCIATES
A Full Service Engineering Firm
PERFORMANCE RELIABILITY EXPERIENCE

11880 Cranston Dr. Suite 102 Arlington, TN 38002 (901) 290-5444

CONECUH BRIDGE & ENGINEERING, INC
P. O. Box 129 Troy, Alabama 36081
249 Pike County Lake Rd. Troy, Alabama 36079
334-566-7422

PRECAST CONCRETE BARRIER RAIL FOR USE WITH PRECAST SLAB DRAWING PC-24 LRFD

DATE: 12/05/2022

STANDARD DWG. NO. PCBR-24 LRFD SHEET NO. 4 OF 27

