

**GENERAL NOTES:**

**SPECIFICATIONS:**  
 AASHTO LRFD BRIDGE CONSTRUCTION SPECIFICATIONS  
 AASHTO STANDARD SPECIFICATIONS FOR TRANSPORTATION MATERIALS AND METHODS OF SAMPLING AND TESTING  
 AMERICAN SOCIETY FOR TESTING AND MATERIALS  
 AMERICAN INSTITUTE OF STEEL CONSTRUCTION

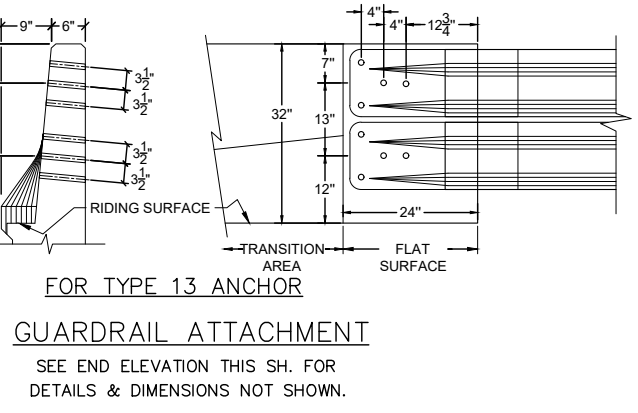
**REINFORCING STEEL:** ALL REINFORCING STEEL SHALL BE GRADE 60 BILLET STEEL MEETING THE REQUIREMENTS OF AASHTO M31. ALL REINFORCING STEEL SHALL BE ACCURATELY LOCATED IN THE FORMS AND PROPER CLEARANCES MAINTAINED WITH STAINLESS STEEL OR RUBBER TIPPED CHAIRS. REINFORCING DIMENSIONS ARE CENTER TO CENTER UNLESS OTHERWISE NOTED ON PLANS.

**CONCRETE:** CONCRETE SHALL CONFORM TO AASHTO CLASS A(AE). MINIMUM 28 DAY COMPRESSIVE STRENGTH SHALL BE 5000 PSI.

**HARDWARE:** ALL BOLTS SHALL CONFORM TO ASTM A-307 AND BE GALVANIZED IN ACCORDANCE WITH ASTM-A153.

**SURFACE FINISH:** SURFACES NOT PLACED AGAINST FORMS SHALL BE STRUCK OFF TO PROPER ELEVATION AND RECEIVE A WOOD FLOAT FINISH. SURFACE MAY THEN RECEIVE A BROOMED FINISH. ADDITIONALLY ALL EXPOSED SURFACES, EXCEPT BOTTOM SURFACE, SHALL BE COATED WITH A PRODUCT SUCH AS THOROCOAT AS PRODUCED BY CHEMREX, INC. OR EQUAL.

**DESIGN DATA:**  
 SPECIFICATIONS: .....AASHTO 2017, 8TH EDITION AND ALL INTERIMS  
 DESIGN LOADING: .....BASED ON TL-4 CRASH TEST CRITERIA



457 St. Michael St.  
 Mobile, AL 36602  
 (251) 433-1611

**Cowles, Murphy, Glover & ASSOCIATES**  
*A Full Service Engineering Firm*  
 PERFORMANCE RELIABILITY EXPERIENCE

11880 Cranston Dr.  
 Suite 102  
 Arlington, TN 38002  
 (901) 290-5444

**CONECUH BRIDGE & ENGINEERING, INC**  
 P. O. Box 129  
 Troy, Alabama 36081  
 249 Pike County Lake Rd.  
 Troy, Alabama 36079  
 334-566-7422



PRECAST CONCRETE BARRIER RAIL  
 FOR USE WITH PRECAST SLAB DRAWING PC-34 LRFD

DATE: 12/05/2022

STANDARD DWG. NO.  
 PCBR-34 LRFD  
 SHEET NO. 5 OF 27