

**END SPAN**

**INTERMEDIATE SPAN**

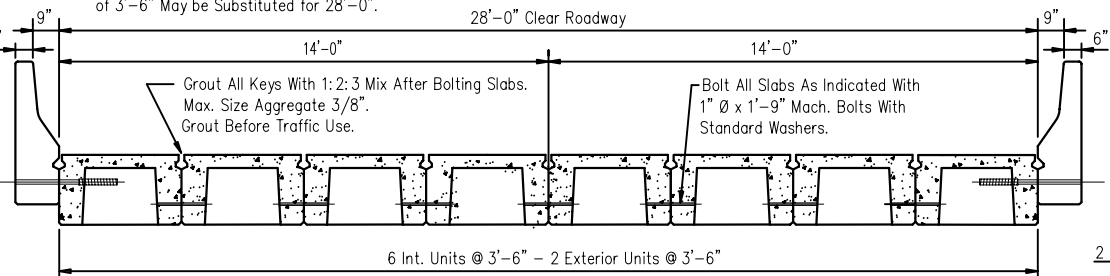
**END SPAN**

Bolt All Slabs At Ends, Longitudinally, 1" X 2"-2" Mach. Bolts, Std. Washers.

1/2" Elastomeric Bearing Pads Between Slabs And Precast Concrete Cap.

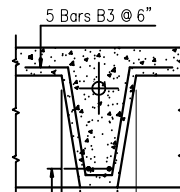
1/4" Expansion Material At Intermediate Bents.

NOTE: Any Roadway Width in Multiples of 3'-6" May be Substituted for 28'-0".

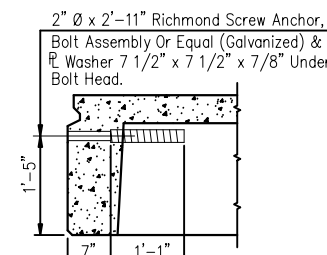


**SECTION OF ROADWAY**

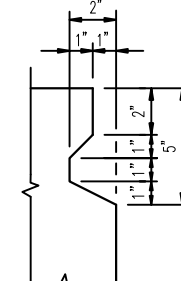
**ELEVATION**



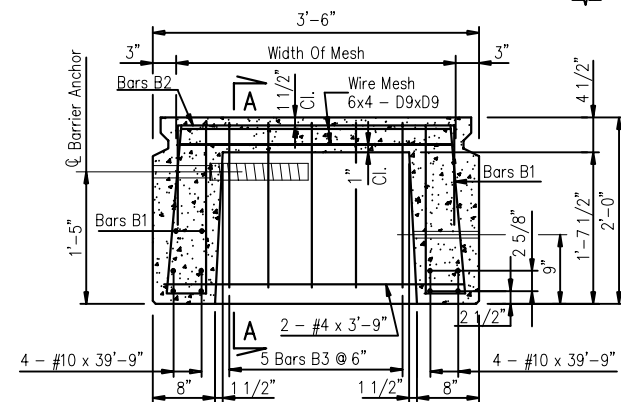
**SECTION A-A**



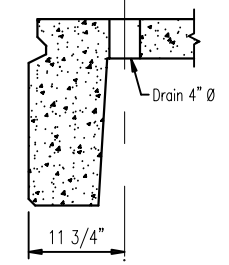
**BARRIER ANCHOR DETAIL**



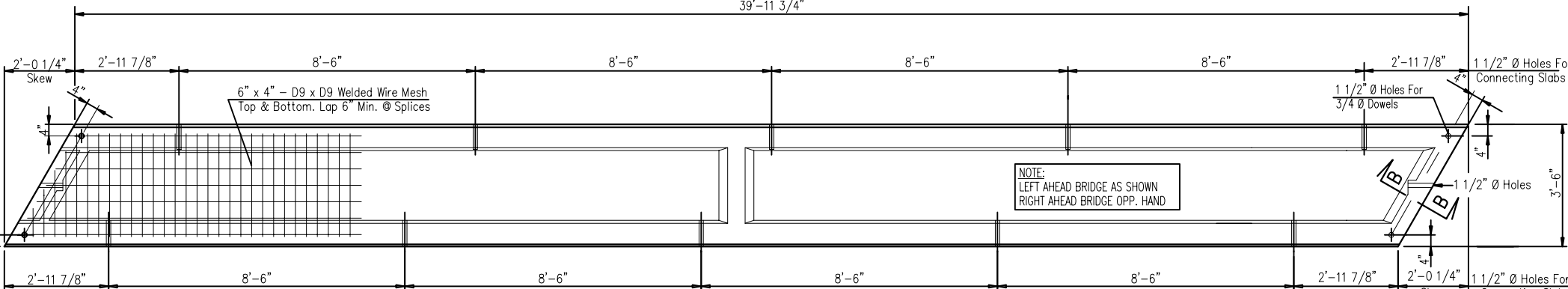
**KEY DETAIL**



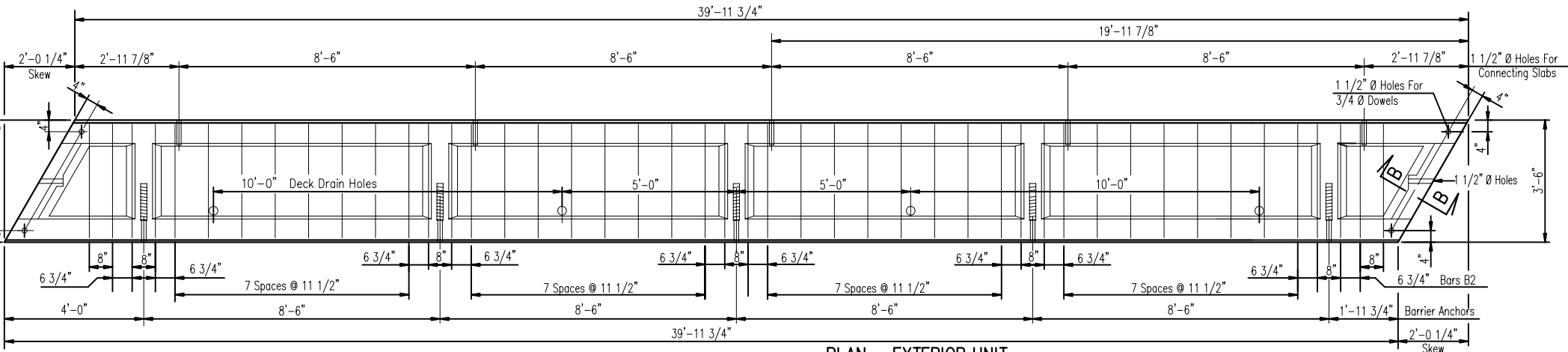
**EXTERIOR UNIT SECTION**



**SECTION AT DRAIN**

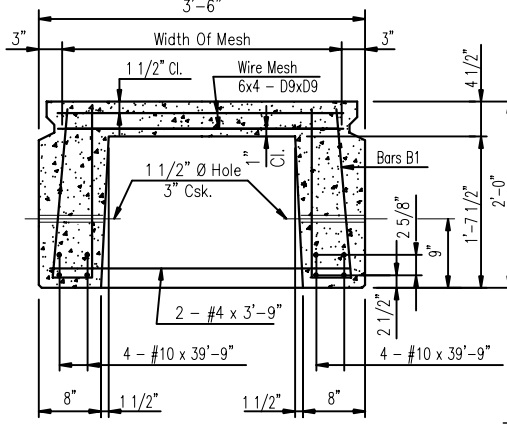


**PLAN - INTERIOR UNIT**

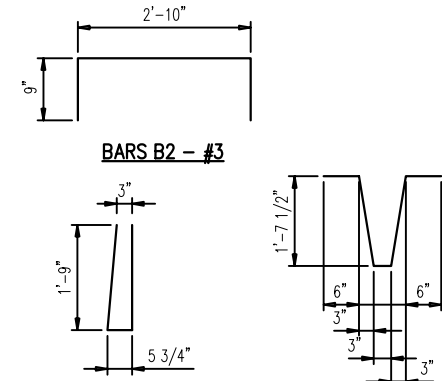


**PLAN - EXTERIOR UNIT**

Showing Additional Top Reinforcing Steel



**INTERIOR UNIT SECTION**



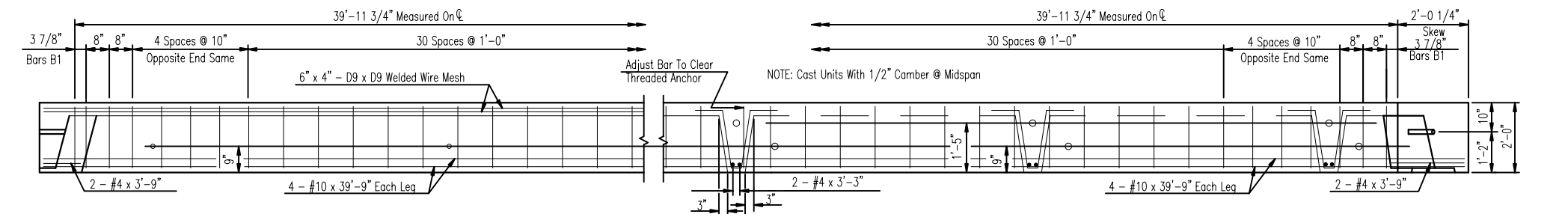
**BAR BENDING DETAILS**

Dimensions Are Out To Out

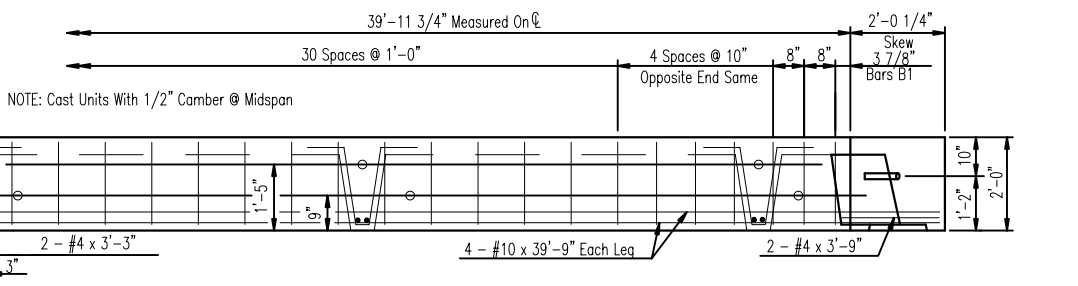
**GENERAL NOTES:**

- AASHTO STANDARD SPECIFICATIONS FOR HIGHWAY BRIDGES
- AASHTO STANDARD SPECIFICATIONS FOR TRANSPORTATION MATERIALS
- AMERICAN SOCIETY FOR TESTING AND MATERIALS
- AMERICAN INSTITUTE OF STEEL CONSTRUCTION
- REINFORCING STEEL: ALL REINFORCING STEEL SHALL BE GRADE 60 BILLET STEEL MEETING THE REQUIREMENTS OF AASHTO M31 OR ASTM A615. ALL REINFORCING STEEL SHALL BE ACCURATELY LOCATED IN THE FORMS AND PROPER CLEARANCES MAINTAINED WITH STAINLESS STEEL OR RUBBER TIPPED CHAIRS. REINFORCING DIMENSIONS ARE CENTER TO CENTER UNLESS OTHERWISE NOTED ON PLANS.
- WELDED WIRE FABRIC SHALL CONFORM TO THE REQUIREMENTS OF AASHTO M221 OR M225.
- EXPANSION JOINTS: JOINT FILLER TO BE AASHTO M-213 OR M225.
- CONCRETE: CONCRETE SHALL CONFORM TO AASHTO CLASS AE. MINIMUM 28 DAY COMPRESSIVE STRENGTH SHALL BE 4500 PSI.
- HARDWARE: ALL BOLTS SHALL CONFORM TO ASTM A-307 AND BE GALVANIZED IN ACCORDANCE WITH ASTM-A153

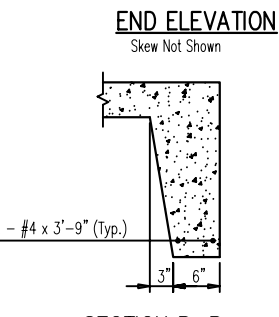
DESIGN DATA:  
 Specifications: A.A.S.H.T.O., 1992 And Interims.  
 Design Loading: HS 20-44  
 fs = 24,000 p.s.i.; fm = 30,000 p.s.i.; fc = 1,800 p.s.i.; n = 8



**PART LONGITUDINAL SECTION ON C-C - INTERIOR UNIT**



**PART LONGITUDINAL ELEVATION - EXTERIOR UNIT**



**SECTION B-B**

**CONECUH BRIDGE & ENGINEERING, LLC**  
 P. O. Box 129 249 County Rd. 2227  
 Troy, Alabama 36081 Troy, Alabama 36079  
 334-566-7422

**PRECAST CONCRETE BRIDGE SLABS - 40' SPANS**  
**30' SKEW**  
**HS 20-44 LOADING**

DATE: 7/18/03 STANDARD DWG. NO. PC-40-30  
 SHEET NO. 1 OF 1

64026skew (1/2"=1') 05-1072001