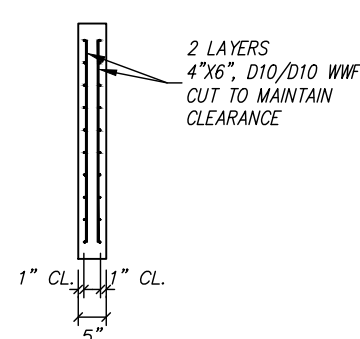
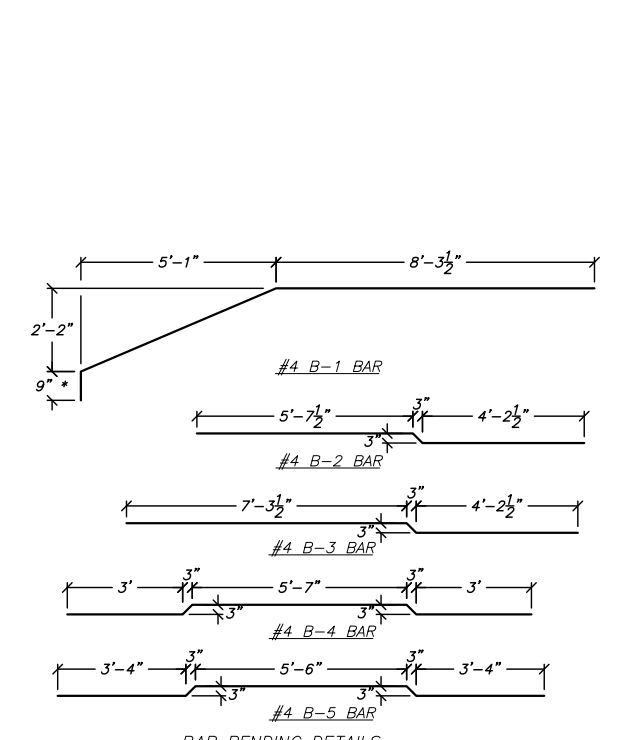
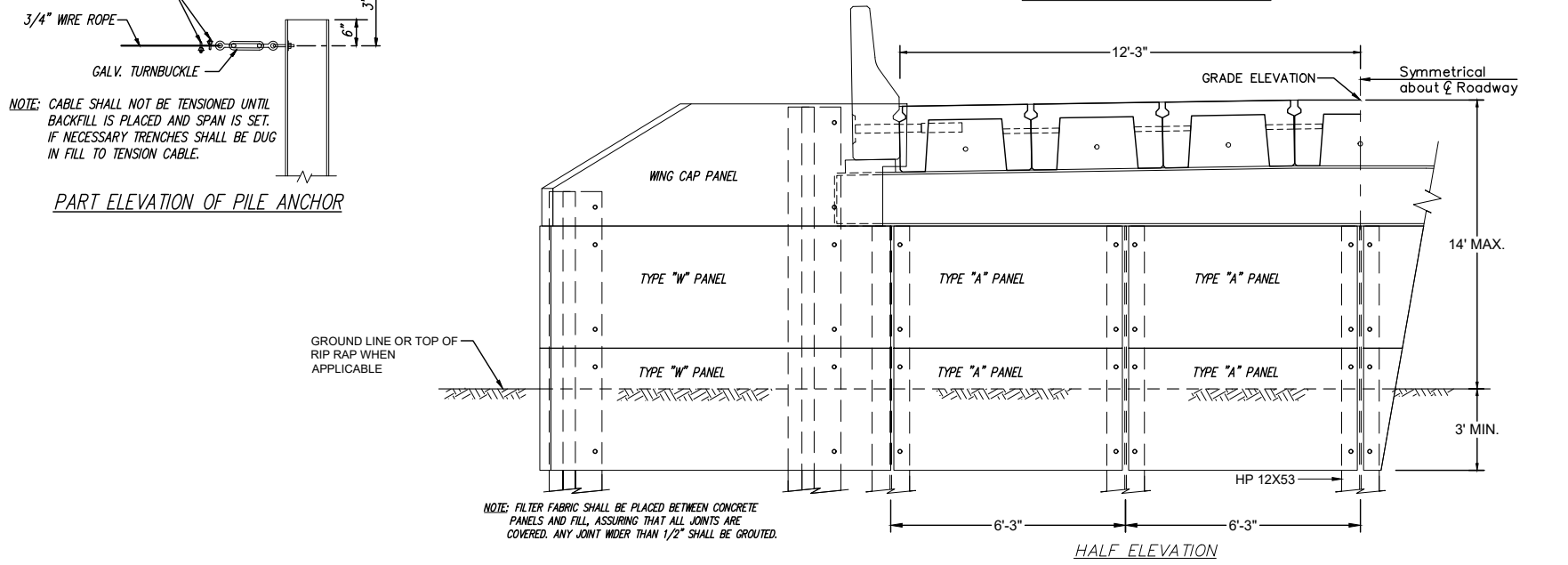


REBAR SCHEDULE (PCP-2400-AS)																
	"V"	"Y"	"C" BAR		"D" BAR		"B5" BAR		"B1" BAR		"B2" BAR		"B3" BAR		"B4" BAR	
			QTY.	LENGTH	QTY.	LENGTH	QTY.	LENGTH	QTY.	LENGTH	QTY.	LENGTH	QTY.	LENGTH	QTY.	LENGTH
A1	2'-3"	1'-3"	7 (C-1)	2'-0"	5	5'-10"										
A2	3'-3"	2'-3"	7 (C-2)	3'-0"	8	5'-10"										
A3	4'-3"	3'-3"	7 (C-3)	4'-0"	10	5'-10"										
A4	6'-3"	3'-3"	7 (C-4)	6'-0"	14	5'-10"										
A5	7'-3"	3'-3"	7 (C-5)	7'-0"	16	5'-10"										
A6	8'-3"	3'-3"	7 (C-6)	8'-0"	18	5'-10"										
W1	2'-3"	1'-3"	15 (C-1)	2'-0"			5	12'-8"								
W2	3'-3"	2'-3"	15 (C-2)	3'-0"			8	12'-8"								
W3	4'-3"	3'-3"	15 (C-3)	4'-0"			12	12'-8"								
W4	6'-3"	3'-3"	15 (C-4)	6'-0"			17	12'-8"								
W5	7'-3"	3'-3"	15 (C-5)	7'-0"			20	12'-8"								
W6	8'-3"	3'-3"	15 (C-6)	8'-0"			23	12'-8"								
WC (24 & 34)	3'-3"	2'-3"	7 (C-2)	3'-0"					1	14'-7"	1	10'-2"	1	11'-10"	2	12'-3 1/2"
			2 (C-7)	1'-7"												
WC (40)	3'-6"	2'-6"	7 (C-2a)	3'-3"					1	14'-10"	1	10'-2"	1	11'-10"	2	12'-3 1/2"
			2 (C-7)	1'-7"												



ALTERNATE REINFORCING LAYOUT FOR PRECAST CONCRETE PANELS

GENERAL NOTES:

SPECIFICATIONS:
AASHTO LRFD BRIDGE CONSTRUCTION SPECIFICATIONS
AASHTO STANDARD SPECIFICATIONS FOR TRANSPORTATION MATERIALS AND METHODS OF SAMPLING AND TESTING
AMERICAN SOCIETY FOR TESTING AND MATERIALS
AMERICAN INSTITUTE OF STEEL CONSTRUCTION

REINFORCING STEEL: ALL REINFORCING STEEL SHALL BE GRADE 60 BILLET STEEL MEETING THE REQUIREMENTS OF AASHTO M31. ALL REINFORCING STEEL SHALL BE ACCURATELY LOCATED IN THE FORMS AND PROPER CLEARANCES MAINTAINED WITH STAINLESS STEEL, PLASTIC, OR RUBBER TIPPED CHAIRS. REINFORCING DIMENSIONS ARE CENTER TO CENTER UNLESS OTHERWISE NOTED ON PLANS.

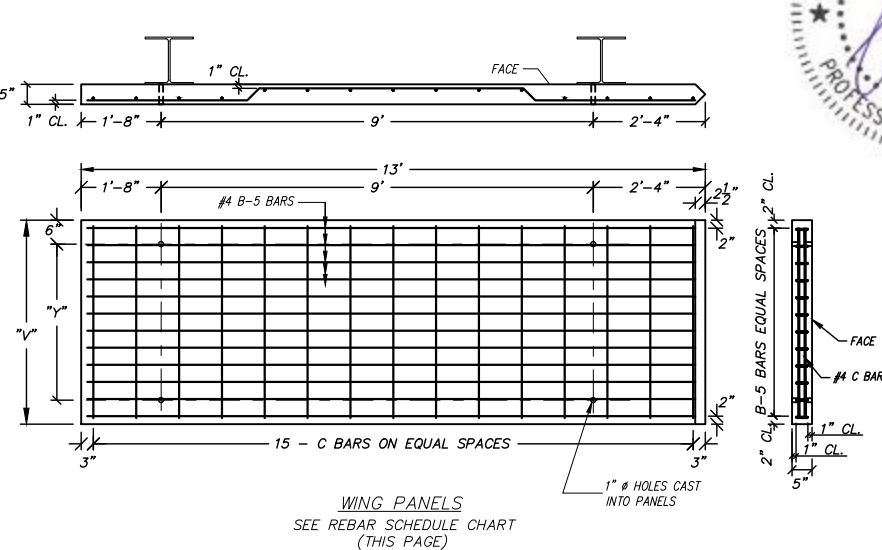
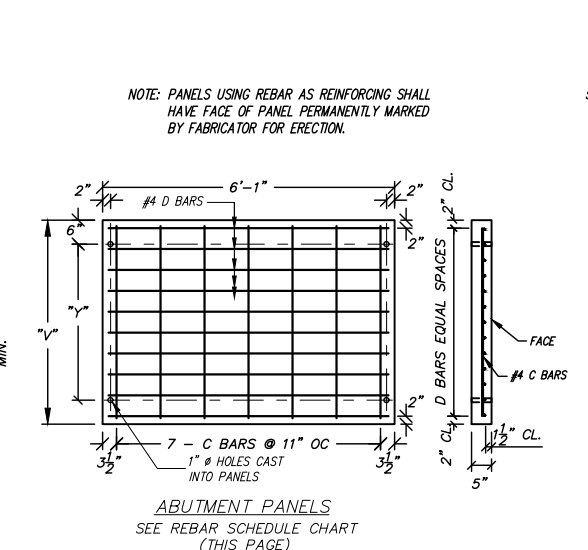
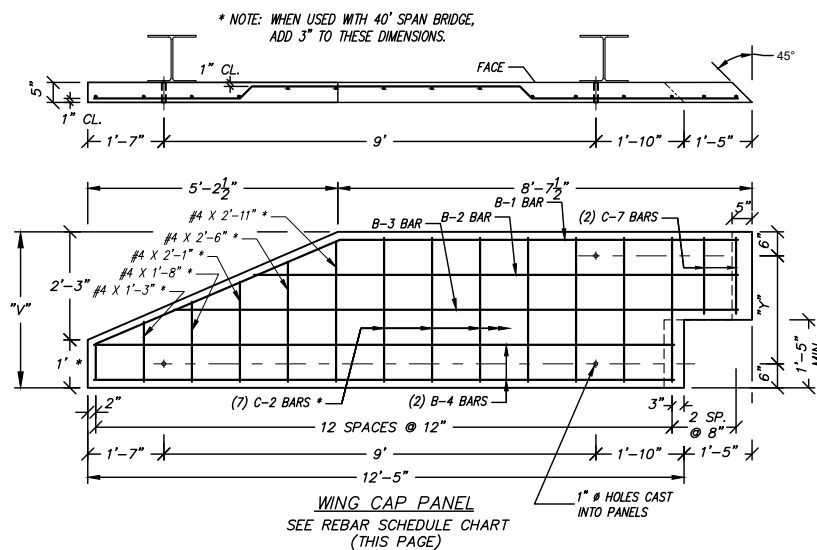
CONCRETE: CONCRETE SHALL CONFORM TO AASHTO CLASS A(AE). MINIMUM 28 DAY COMPRESSIVE STRENGTH SHALL BE 3000 PSI. ALL EXPOSED CORNERS TO BE ROUNDED TO A 1/4" RADIUS UNLESS OTHERWISE NOTED.

HARDWARE: ALL BOLTS SHALL CONFORM TO ASTM A-307 AND BE GALVANIZED IN ACCORDANCE WITH ASTM-A153

DESIGN DATA:
SPECIFICATIONS:.....AASHTO 2017, 8TH EDITION AND ALL INTERIMS

NOTE: IN CASTING PANELS (ABUTMENT, WING, WING CAP), WIRE MESH CONFORMING TO THE REQUIREMENTS OF AASHTO M221, MINIMUM GRADE 70 STEEL, MAY BE USED UP TO A DEPTH OF 14' BELOW GRADE IN LIEU OF THE REINFORCEMENT SHOWN. TWO LAYERS OF MESH SHALL BE USED IN EACH PANEL AND BE LOCATED WITH 1" CLEAR OF THE SIDE OF THE PANEL. THE WIRE CONFIGURATION MUST BE SUCH THAT A MINIMUM STEEL AREA OF .30 SQ. IN. PER FOOT IN THE LINE WIRE DIRECTION AND .20 SQ. IN. PER FOOT IN THE CROSS WIRE DIRECTION IS ACQUIRED.

NOTE: PANELS OF DIFFERENT HEIGHTS THAN THOSE SHOWN MAY BE CAST. STEEL REQUIREMENTS AND CLEARANCES SHOWN HEREON MUST BE MAINTAINED.



857 St. Michael St.
Mobile, AL 36602
(251) 433-1611

Cowles, Murphy, Glover & ASSOCIATES
A Full Service Engineering Firm
PERFORMANCE RELIABILITY EXPERIENCE

11880 Cranston Dr.
Suite 102
Arlington, TN 38002
(901) 290-5444

C&E CONE/CU/H BRIDGE & ENGINEERING, INC
P. O. Box 129
Troy, Alabama 36081

249 Pike County Lake Rd.
Troy, Alabama 36079
334-566-7422

PRECAST CONCRETE ABUTMENT PANELS
FOR USE WITH STEEL PILING & 24', 34', OR 40'
PRECAST CONCRETE SPANS, 24'-6" CLEAR ROADWAY
WITH APPROACH SLAB

DATE: 12/05/2022

STANDARD DWG. NO. PCP-2400-AS LRFD
SHEET NO. 21 OF 27