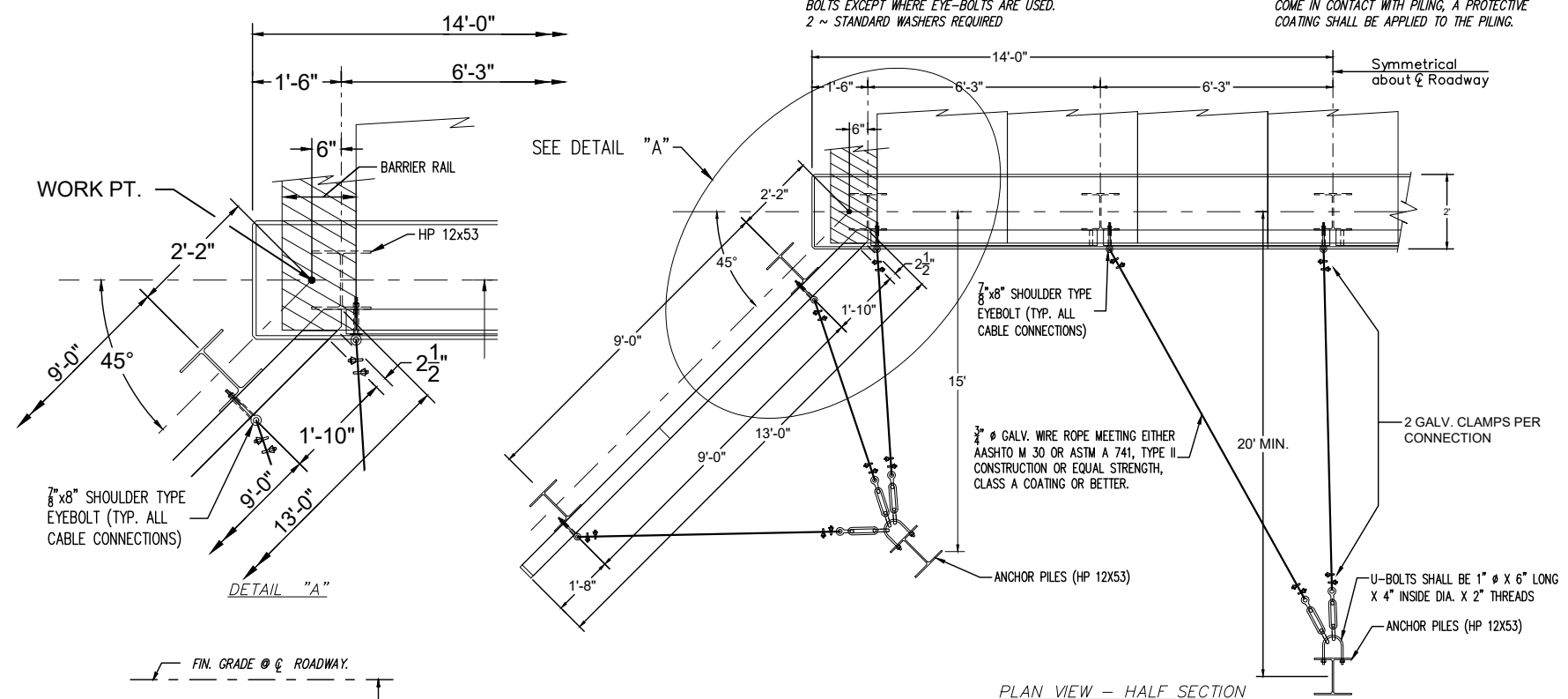
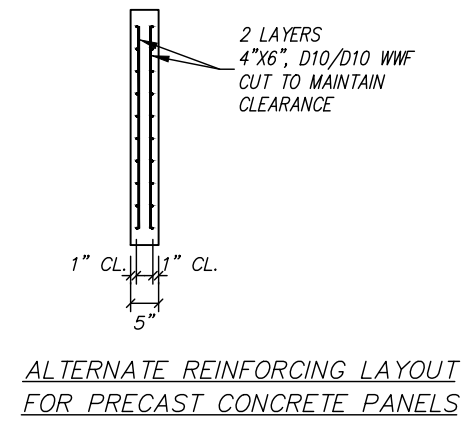
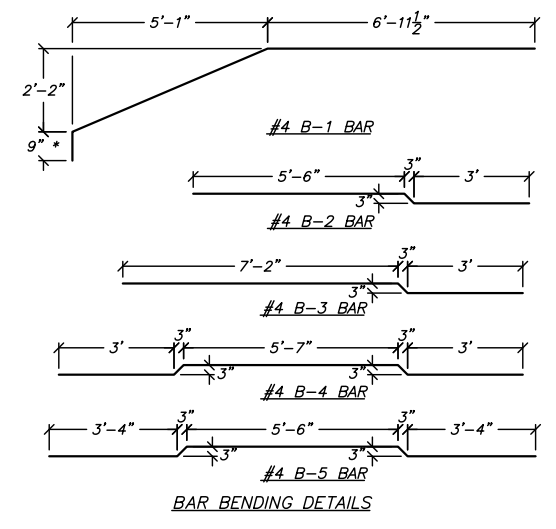
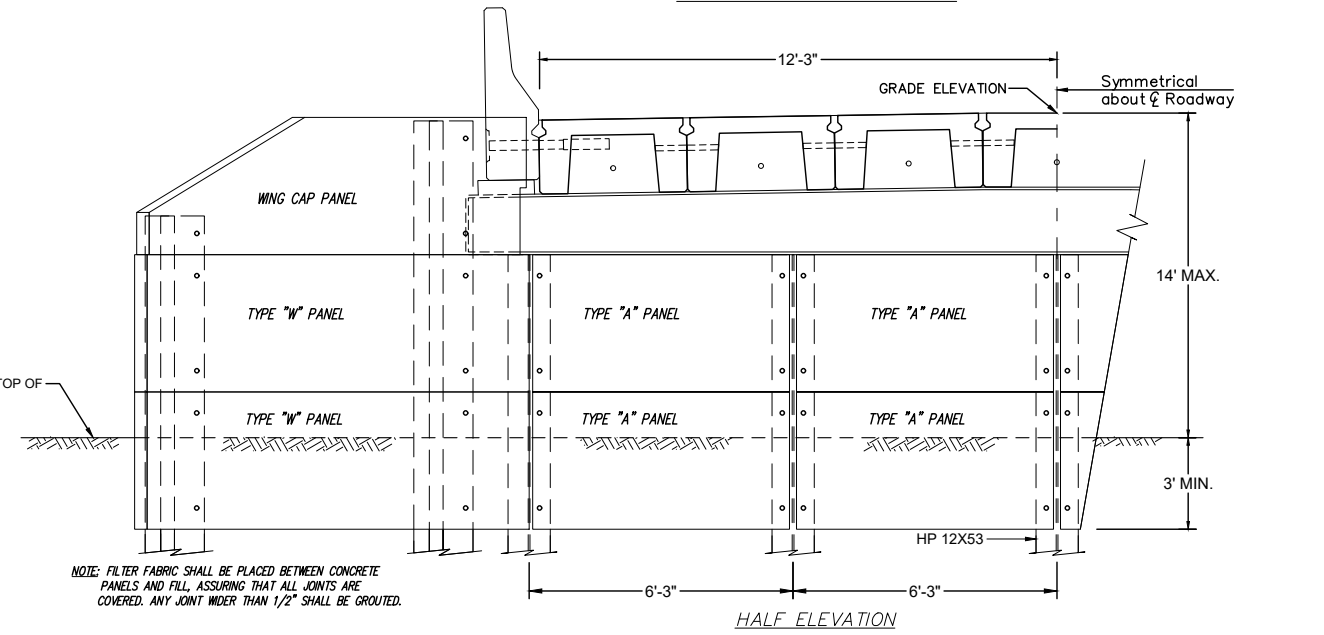
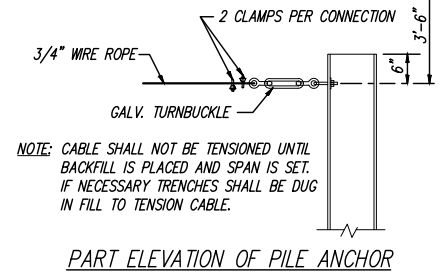


NOTE: BOLT ALL PANELS TO PILING WITH 3/4" Ø X 8" MACHINE BOLTS EXCEPT WHERE EYE-BOLTS ARE USED. 2 ~ STANDARD WASHERS REQUIRED

NOTE: AT THE POINT WHERE PRECAST CONCRETE PANELS COME IN CONTACT WITH PILING, A PROTECTIVE COATING SHALL BE APPLIED TO THE PILING.



| REBAR SCHEDULE (PCP-2400) |       |       |          |        |         |        |          |        |          |        |          |        |          |        |          |            |
|---------------------------|-------|-------|----------|--------|---------|--------|----------|--------|----------|--------|----------|--------|----------|--------|----------|------------|
|                           | "V"   | "Y"   | "C" BAR  |        | "D" BAR |        | "B5" BAR |        | "B1" BAR |        | "B2" BAR |        | "B3" BAR |        | "B4" BAR |            |
|                           |       |       | QTY.     | LENGTH | QTY.    | LENGTH | QTY.     | LENGTH | QTY.     | LENGTH | QTY.     | LENGTH | QTY.     | LENGTH | QTY.     | LENGTH     |
| A1                        | 2'-3" | 1'-3" | 7 (C-1)  | 2'-0"  | 5       | 5'-10" |          |        |          |        |          |        |          |        |          |            |
| A2                        | 3'-3" | 2'-3" | 7 (C-2)  | 3'-0"  | 8       | 5'-10" |          |        |          |        |          |        |          |        |          |            |
| A3                        | 4'-3" | 3'-3" | 7 (C-3)  | 4'-0"  | 10      | 5'-10" |          |        |          |        |          |        |          |        |          |            |
| A4                        | 6'-3" | 3'-3" | 7 (C-4)  | 6'-0"  | 14      | 5'-10" |          |        |          |        |          |        |          |        |          |            |
| A5                        | 7'-3" | 3'-3" | 7 (C-5)  | 7'-0"  | 16      | 5'-10" |          |        |          |        |          |        |          |        |          |            |
| A6                        | 8'-3" | 3'-3" | 7 (C-6)  | 8'-0"  | 18      | 5'-10" |          |        |          |        |          |        |          |        |          |            |
| W1                        | 2'-3" | 1'-3" | 15 (C-1) | 2'-0"  |         |        | 5        | 12'-8" |          |        |          |        |          |        |          |            |
| W2                        | 3'-3" | 2'-3" | 15 (C-2) | 3'-0"  |         |        | 8        | 12'-8" |          |        |          |        |          |        |          |            |
| W3                        | 4'-3" | 3'-3" | 15 (C-3) | 4'-0"  |         |        | 12       | 12'-8" |          |        |          |        |          |        |          |            |
| W4                        | 6'-3" | 3'-3" | 15 (C-4) | 6'-0"  |         |        | 17       | 12'-8" |          |        |          |        |          |        |          |            |
| W5                        | 7'-3" | 3'-3" | 15 (C-5) | 7'-0"  |         |        | 20       | 12'-8" |          |        |          |        |          |        |          |            |
| W6                        | 8'-3" | 3'-3" | 15 (C-6) | 8'-0"  |         |        | 23       | 12'-8" |          |        |          |        |          |        |          |            |
| WC (24 & 34)              | 3'-3" | 2'-3" | 7 (C-2)  | 3'-0"  |         |        |          |        | 1        | 13'-3" | 1        | 8'-10" | 1        | 10'-6" | 2        | 12'-3 1/2" |
| WC (40)                   | 3'-6" | 2'-6" | 7 (C-2a) | 3'-3"  |         |        |          |        | 1        | 13'-6" | 1        | 8'-10" | 1        | 10'-6" | 2        | 12'-3 1/2" |



**GENERAL NOTES:**

**SPECIFICATIONS:**  
 AASHTO LRFD BRIDGE CONSTRUCTION SPECIFICATIONS  
 AASHTO STANDARD SPECIFICATIONS FOR TRANSPORTATION MATERIALS AND METHODS OF SAMPLING AND TESTING  
 AMERICAN SOCIETY FOR TESTING AND MATERIALS  
 AMERICAN INSTITUTE OF STEEL CONSTRUCTION

**REINFORCING STEEL:** ALL REINFORCING STEEL SHALL BE GRADE 60 BILLET STEEL MEETING THE REQUIREMENTS OF AASHTO M31. ALL REINFORCING STEEL SHALL BE ACCURATELY LOCATED IN THE FORMS AND PROPER CLEARANCES MAINTAINED WITH STAINLESS STEEL, PLASTIC, OR RUBBER TIPPED CHAIRS. REINFORCING DIMENSIONS ARE CENTER TO CENTER UNLESS OTHERWISE NOTED ON PLANS.

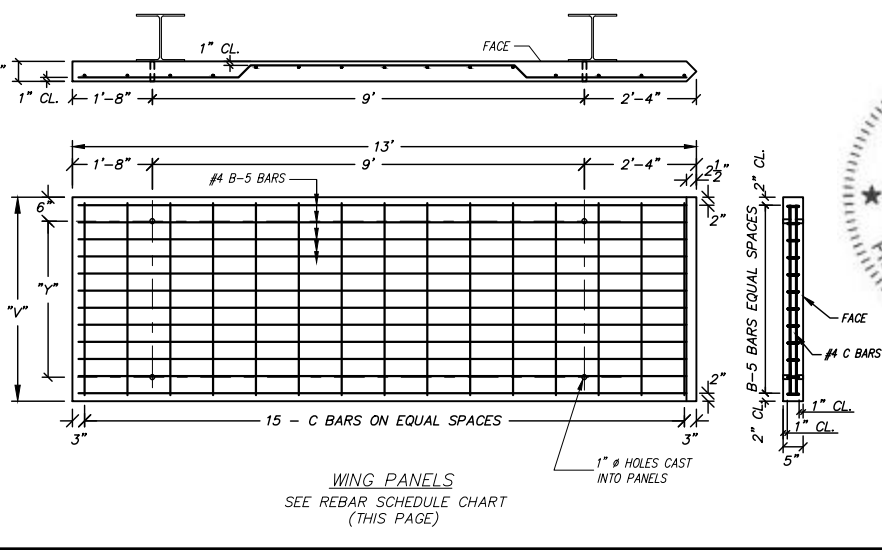
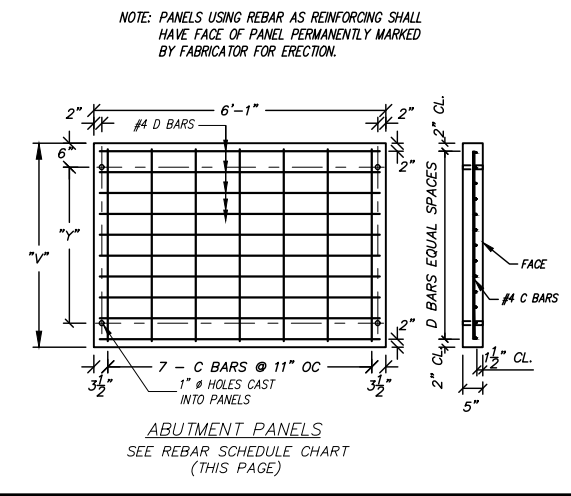
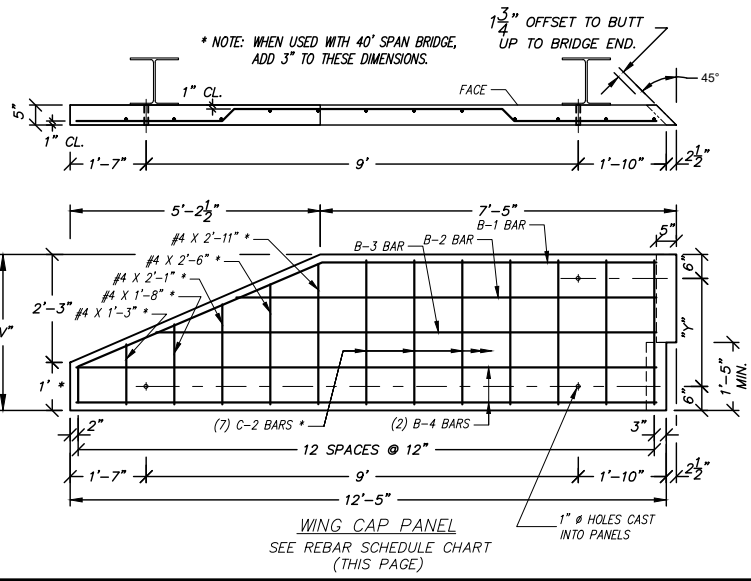
**CONCRETE:** CONCRETE SHALL CONFORM TO AASHTO CLASS A(AE). MINIMUM 28 DAY COMPRESSIVE STRENGTH SHALL BE 3000 PSI. ALL EXPOSED CORNERS TO BE ROUNDED TO A 1/4" RADIUS UNLESS OTHERWISE NOTED.

**HARDWARE:** ALL BOLTS SHALL CONFORM TO ASTM A-307 AND BE GALVANIZED IN ACCORDANCE WITH ASTM-A153

**DESIGN DATA:**  
 SPECIFICATIONS:.....AASHTO 2017, 8TH EDITION AND ALL INTERIMS

**NOTE:** IN CASTING PANELS (ABUTMENT, WING, WING CAP), WIRE MESH CONFORMING TO THE REQUIREMENTS OF AASHTO M221, MINIMUM GRADE 70 STEEL, MAY BE USED UP TO A DEPTH OF 14' BELOW GRADE IN LIEU OF THE REINFORCEMENT SHOWN. TWO LAYERS OF MESH SHALL BE USED IN EACH PANEL AND BE LOCATED WITH 1" CLEAR OF THE SIDE OF THE PANEL. THE WIRE CONFIGURATION MUST BE SUCH THAT A MINIMUM STEEL AREA OF .30 SQ. IN. PER FOOT IN THE LINE WIRE DIRECTION AND .20 SQ. IN. PER FOOT IN THE CROSS WIRE DIRECTION IS ACQUIRED.

**NOTE:** PANELS OF DIFFERENT HEIGHTS THAN THOSE SHOWN MAY BE CAST. STEEL REQUIREMENTS AND CLEARANCES SHOWN HEREON MUST BE MAINTAINED.



457 St. Michael St.  
 Mobile, AL 36602  
 (251) 433-1611

**Cowles, Murphy, Glover & ASSOCIATES**  
 A Full Service Engineering Firm  
 PERFORMANCE RELIABILITY EXPERIENCE

11880 Cranston Dr.  
 Suite 102  
 Arlington, TN 38002  
 (901) 290-5444

**C&E CONE/CU/H BRIDGE & ENGINEERING, INC**  
 P. O. Box 129  
 Troy, Alabama 36081  
 334-566-7422

249 Pike County Lake Rd.  
 Troy, Alabama 36079

**PRECAST CONCRETE ABUTMENT PANELS FOR USE WITH STEEL PILING & 24", 34", OR 40' PRECAST CONCRETE SPANS 24'-6" CLEAR ROADWAY**

DATE: 12/05/2022

STANDARD DWG. NO. PCP-2400 LRFD  
 SHEET NO. 20 OF 27