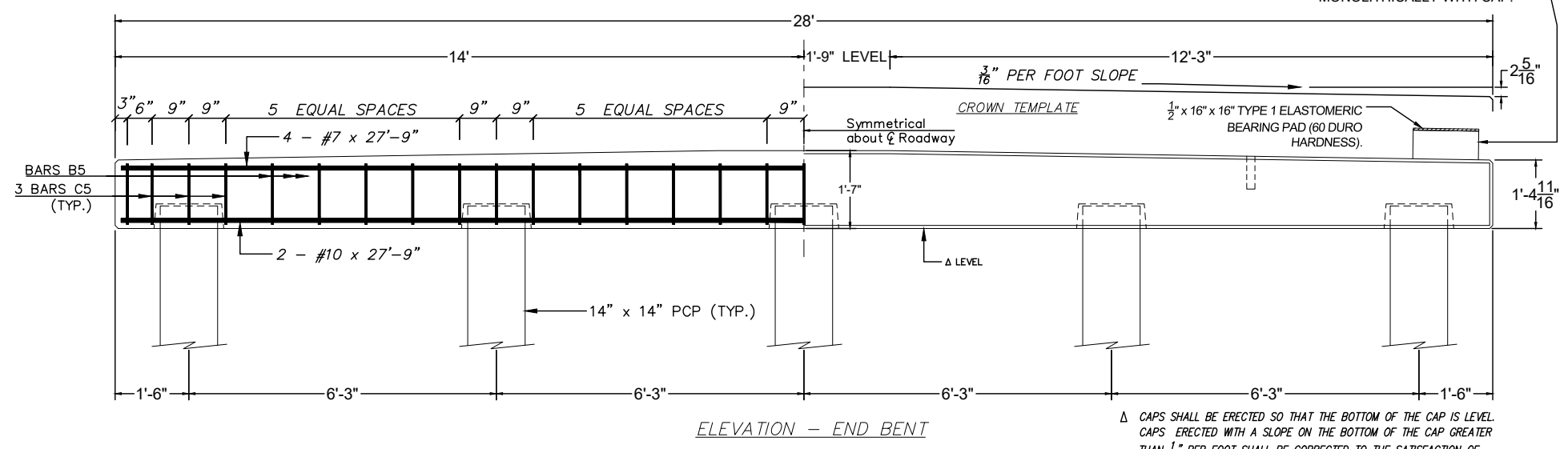
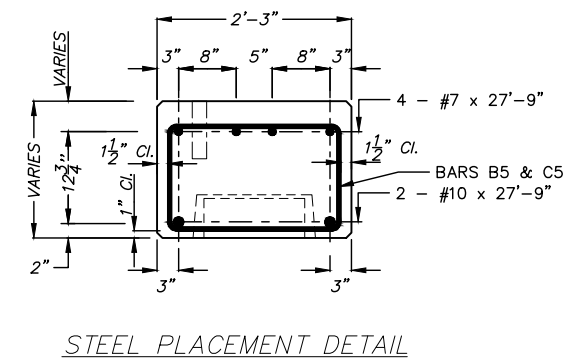
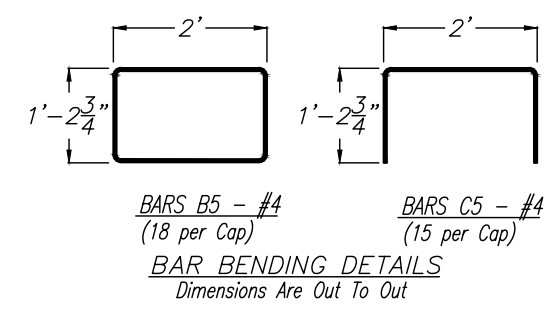


**\*\* DEPTH OF RISER BLOCK**

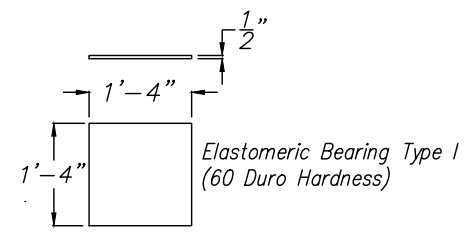
24' SPAN	NA
34' SPAN	4"
40' SPAN	7"

**\*\*\* PREFORMED EXP. JT. FILLER**

24' SPAN	1/4" x 16" x 24'-6"
34' SPAN	1/4" x 20" x 24'-6"
40' SPAN	1/4" x 23" x 24'-6"



Δ CAPS SHALL BE ERECTED SO THAT THE BOTTOM OF THE CAP IS LEVEL. CAPS ERECTED WITH A SLOPE ON THE BOTTOM OF THE CAP GREATER THAN 1/16" PER FOOT SHALL BE CORRECTED TO THE SATISFACTION OF THE ENGINEER OF RECORD AT NO ADDITIONAL COST TO THE PROJECT.



A 1/2" X 8" X 1'-4" Elastomeric Bearing, Type 1, Shall Be Used Under The Outside Legs Of The Exterior Channels.

**GENERAL NOTES:**

**SPECIFICATIONS:**  
AASHTO LRFD BRIDGE CONSTRUCTION SPECIFICATIONS  
AASHTO STANDARD SPECIFICATIONS FOR TRANSPORTATION MATERIALS AND METHODS OF SAMPLING AND TESTING  
AMERICAN SOCIETY FOR TESTING AND MATERIALS  
AMERICAN INSTITUTE OF STEEL CONSTRUCTION

**REINFORCING STEEL:** ALL REINFORCING STEEL SHALL BE GRADE 60 BILLET STEEL MEETING THE REQUIREMENTS OF AASHTO M31. ALL REINFORCING STEEL SHALL BE ACCURATELY LOCATED IN THE FORMS AND PROPER CLEARANCES MAINTAINED WITH STAINLESS STEEL, PLASTIC, OR RUBBER TIPPED CHAIRS. REINFORCING DIMENSIONS ARE CENTER TO CENTER UNLESS OTHERWISE NOTED ON PLANS.

**CONCRETE:** CONCRETE SHALL CONFORM TO AASHTO CLASS A(AE). MINIMUM 28 DAY COMPRESSIVE STRENGTH SHALL BE 3000 PSI. ALL EXPOSED CORNERS TO BE CHAMFERED 3/4" X 45° UNLESS OTHERWISE NOTED.

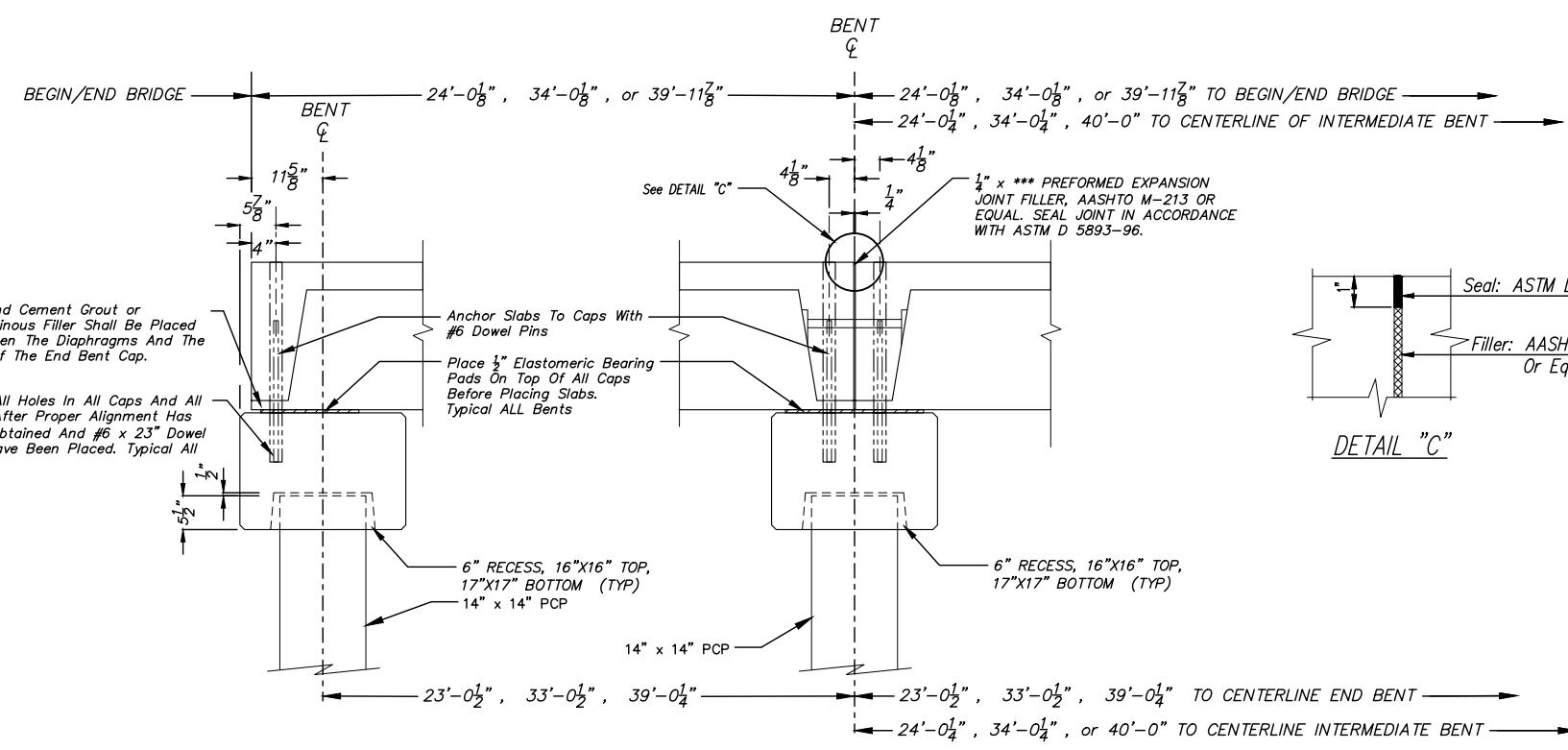
**PILING:** ALL PILING SHALL BE 14"x14" PRESTRESSED CONCRETE PILE. ALLOWABLE PILE LOAD = 40 TONS WITH A FACTOR OF SAFETY OF 2.0 (MIN.) (HL-93).

**EPOXY GROUT:** EPOXY GROUT SHALL DEVELOP A COMPRESSIVE STRENGTH OF 5000 PSI IN TWELVE (12) HOURS.

**TOLERANCES:** A DEVIATION OF MORE THAN 1/8" MAY BE CAUSE FOR REJECTION OF THE UNIT.

**HARDWARE:** ALL BOLTS SHALL CONFORM TO ASTM A-307 AND BE GALVANIZED IN ACCORDANCE WITH ASTM-A153

**DESIGN DATA:**  
SPECIFICATIONS:.....AASHTO 2017, 8TH EDITION AND ALL INTERIMS  
DESIGN LOADING:.....HL-93



TYPICAL END SECTION

TYPICAL INTERMEDIATE SECTION



457 St. Michael St. Mobile, AL 36602 (251) 433-1611	<b>Cowles, Murphy, Glover &amp; ASSOCIATES</b> A Full Service Engineering Firm PERFORMANCE RELIABILITY EXPERIENCE	11880 Cranston Dr. Suite 102 Arlington, TN 38002 (901) 290-5444
<b>CONECUH BRIDGE &amp; ENGINEERING, INC</b> P. O. Box 129 Troy, Alabama 36081 249 Pike County Lake Rd. Troy, Alabama 36079 334-566-7422		
<b>PRECAST CONCRETE END BENT CAP FOR USE WITH 14'x14' CONCRETE PILING &amp; 24', 34', OR 40' PRECAST BRIDGE SLABS 24'-6" CLEAR ROADWAY</b>		
DATE: <b>12/05/2022</b>	STANDARD DWG. NO. <b>PCA-2440-CP LRFD</b> SHEET NO. 9 OF 27	