

TWO STORY BENT SWAYBRACING TABLES

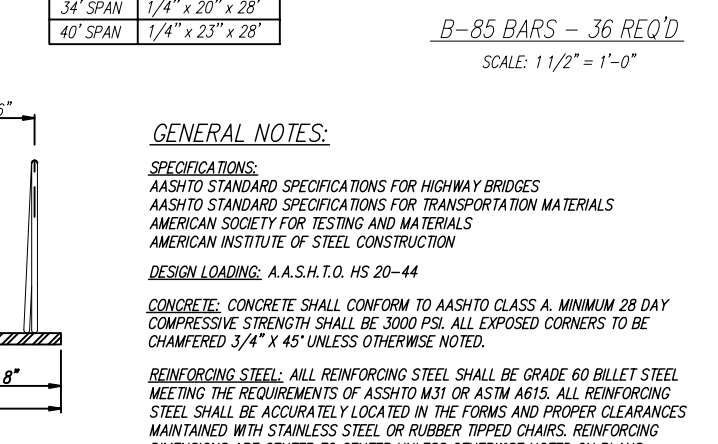
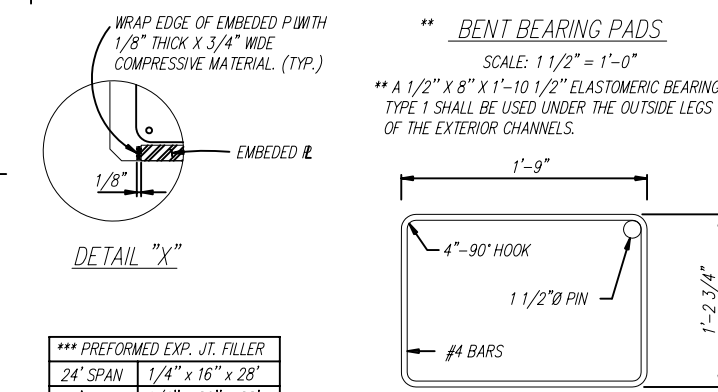
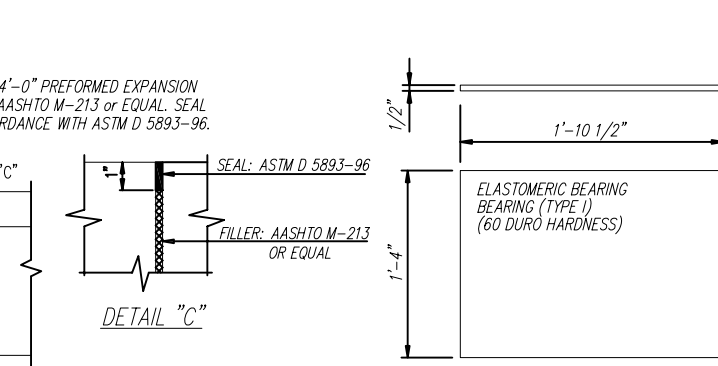
"H"	"E"	"A"	"B"	"C"	WT. LBS.
20'-0"	6'-6"	25'-6"	25'-6"	27'-3"	1205
21'-0"	7'-6"	25'-6"	25'-6"	27'-7"	1209
22'-0"	8'-6"	25'-6"	25'-6"	28'-0"	1216
23'-0"	9'-6"	25'-6"	25'-6"	28'-5"	1223
24'-0"	10'-6"	25'-6"	25'-6"	28'-11"	1230
25'-0"	11'-6"	25'-6"	25'-6"	29'-5"	1238

BATTEN WEIGHT TO BE ADDED TO ABOVE TABLES. 10-BATTENS REQ'D, 5/16" x 7 1/2" x 1'-6 1/4" @ 12.1# EACH.

SINGLE STORY BENT SWAYBRACING TABLES

"H"	"G"	"D"	WT. LBS.
13'-0"	7'-5"	25'-8"	395
14'-0"	8'-5"	26'-1"	401
15'-0"	9'-5"	26'-7"	409
16'-0"	10'-5"	27'-1"	417
17'-0"	11'-5"	27'-7"	425
18'-0"	12'-5"	28'-1"	432
19'-0"	13'-5"	28'-8"	441

NOTE: WEIGHT GIVEN IS TOTAL FOR TWO PIECES OF EACH LENGTH OF SWAYBRACING SHOWN IN BOTH TABLES.



GENERAL NOTES:

SPECIFICATIONS:
AASHTO STANDARD SPECIFICATIONS FOR HIGHWAY BRIDGES
AASHTO STANDARD SPECIFICATIONS FOR TRANSPORTATION MATERIALS
AMERICAN SOCIETY FOR TESTING AND MATERIALS
AMERICAN INSTITUTE OF STEEL CONSTRUCTION

DESIGN LOADING: A.A.S.H.T.O. HS 20-44

CONCRETE: CONCRETE SHALL CONFORM TO AASHTO CLASS A. MINIMUM 28 DAY COMPRESSIVE STRENGTH SHALL BE 3000 PSI. ALL EXPOSED CORNERS TO BE CHAMFERED 3/4" x 45° UNLESS OTHERWISE NOTED.

REINFORCING STEEL: ALL REINFORCING STEEL SHALL BE GRADE 60 BILLET STEEL MEETING THE REQUIREMENTS OF AASHTO M31 OR ASTM A615. ALL REINFORCING STEEL SHALL BE ACCURATELY LOCATED IN THE FORMS AND PROPER CLEARANCES MAINTAINED WITH STAINLESS STEEL OR RUBBER TIPPED CHAIRS. REINFORCING DIMENSIONS ARE CENTER TO CENTER UNLESS OTHERWISE NOTED ON PLANS.

STRUCTURAL STEEL AND PILING: ALL STRUCTURAL STEEL SHALL COMPLY WITH AASHTO M270 GRADE 36. ALL PILING SHALL BE 12" STEEL "H" PILING, 53 LBS PER FOOT. PILE DESIGN LOADING 37 TONS (HS20-44).

WELDING: ALL WELDING SHALL CONFORM TO ANSI/AASHTO/ANS D 1.5 "BRIDGE WELDING CODE"

TOLERANCES: A DEVIATION OF MORE THAN 1/8" MAY BE CAUSE FOR REJECTION OF THE UNIT.

DESIGN DATA: AASHTO 1992 & INTERIM fs = 24,000 p.s.i.; fc = 1,200 p.s.i.; n = 10

BID ITEM:
ELASTOMERIC BEARINGS TYPE I - PER EACH
PRECAST CONCRETE INTERMEDIATE CAPS, 2'-0" WIDE BY 1'-7" DEEP BY 27'-6" LONG - PER EACH.

CONECUH BRIDGE & ENGINEERING, LLC

P. O. Box 129
Troy, Alabama 36081

249 County Rd. 2227
Troy, Alabama 36079

334-566-7422

PRECAST CONCRETE BENT CAP FOR USE WITH STEEL PILING AND 24', 34' OR 40' PRECAST CONCRETE BRIDGE SLABS 24 FT. & 24'-6" CLEAR ROADWAY