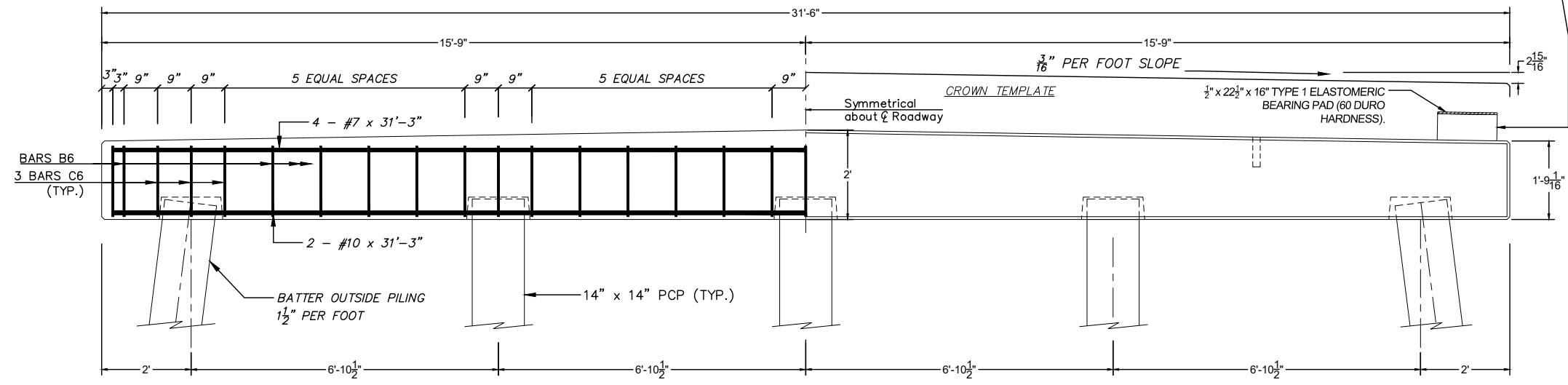


PLAN - INTERMEDIATE BENT

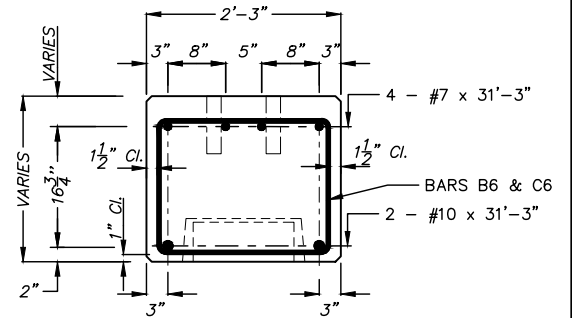


ELEVATION - INTERMEDIATE BENT

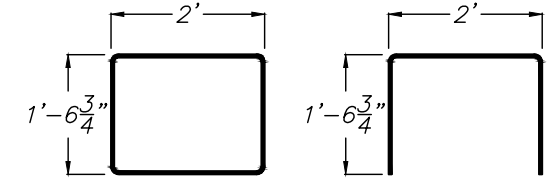
Δ CAPS SHALL BE ERECTED SO THAT THE BOTTOM OF THE CAP IS LEVEL. CAPS ERECTED WITH A SLOPE ON THE BOTTOM OF THE CAP GREATER THAN 1/16" PER FOOT SHALL BE CORRECTED TO THE SATISFACTION OF THE ENGINEER OF RECORD AT NO ADDITIONAL COST TO THE PROJECT.

** DEPTH OF RISER BLOCK	
24' SPAN	NA
34' SPAN	4"
40' SPAN	7"

*** PREFORMED EXP. JT. FILLER	
24' SPAN	1/4" x 16" x 28'-0"
34' SPAN	1/4" x 20" x 28'-0"
40' SPAN	1/4" x 23" x 28'-0"



STEEL PLACEMENT DETAIL



BARS B6 - #4
(20 per Cap)

BARS C6 - #4
(15 per Cap)

BAR BENDING DETAILS
Dimensions Are Out To Out

GENERAL NOTES:

SPECIFICATIONS:
AASHTO LRFD BRIDGE CONSTRUCTION SPECIFICATIONS
AASHTO STANDARD SPECIFICATIONS FOR TRANSPORTATION MATERIALS AND METHODS OF SAMPLING AND TESTING
AMERICAN SOCIETY FOR TESTING AND MATERIALS
AMERICAN INSTITUTE OF STEEL CONSTRUCTION

REINFORCING STEEL: ALL REINFORCING STEEL SHALL BE GRADE 60 BILLET STEEL MEETING THE REQUIREMENTS OF AASHTO M31. ALL REINFORCING STEEL SHALL BE ACCURATELY LOCATED IN THE FORMS AND PROPER CLEARANCES MAINTAINED WITH STAINLESS STEEL, PLASTIC, OR RUBBER TIPPED CHAIRS. REINFORCING DIMENSIONS ARE CENTER TO CENTER UNLESS OTHERWISE NOTED ON PLANS.

CONCRETE: CONCRETE SHALL CONFORM TO AASHTO CLASS A(AE). MINIMUM 28 DAY COMPRESSIVE STRENGTH SHALL BE 3000 PSI. ALL EXPOSED CORNERS TO BE CHAMFERED 3/4" X 45° UNLESS OTHERWISE NOTED.

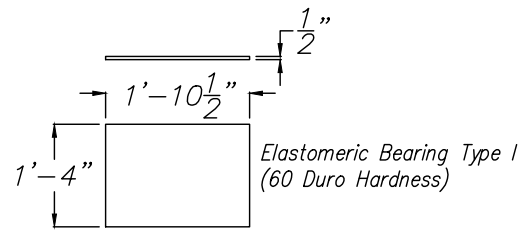
PILING: ALL PILING SHALL BE 14"x14" PRESTRESSED CONCRETE PILE. ALLOWABLE PILE LOAD = 55 TONS WITH A FACTOR OF SAFETY OF 2.0 (MIN.)

EPOXY GROUT: EPOXY GROUT SHALL DEVELOP A COMPRESSIVE STRENGTH OF 5000 PSI IN TWELVE (12) HOURS.

TOLERANCES: A DEVIATION OF MORE THAN 1/8" MAY BE CAUSE FOR REJECTION OF THE UNIT.

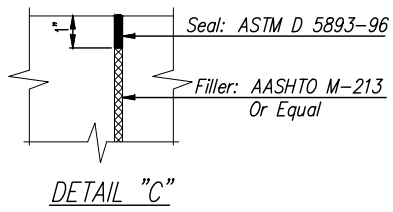
HARDWARE: ALL BOLTS SHALL CONFORM TO ASTM A-307 AND BE GALVANIZED IN ACCORDANCE WITH ASTM-A153

DESIGN DATA:
SPECIFICATIONS:.....AASHTO 2017, 8TH EDITION AND ALL INTERIMS
DESIGN LOADING:.....HL-93

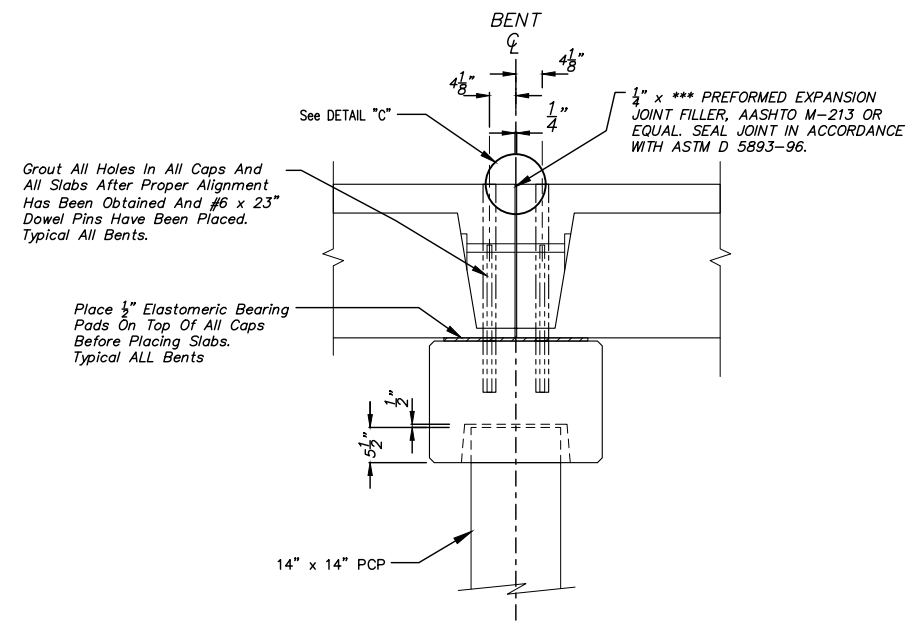


BEARING PADS

A 1/2" X 8" X 1'-10 1/2" Elastomeric Bearing, Type 1, Shall Be Used Under The Outside Legs Of The Exterior Channels.



DETAIL "C"



TYPICAL INTERMEDIATE SECTION

Grout All Holes In All Caps And All Slabs After Proper Alignment Has Been Obtained And #6 x 23" Dowel Pins Have Been Placed. Typical All Bents.

Place 1/2" Elastomeric Bearing Pads On Top Of All Caps Before Placing Slabs. Typical ALL Bents

DESIGN PARAMETERS
THE FOLLOWING DESIGN PARAMETERS WERE USED TO DEVELOP THIS STANDARD DRAWING:

- ALLOWABLE PILE LOAD = 55 TONS/PILE WITH A FACTOR OF SAFETY OF 2.0 (MIN.)
- "K" FOR COMPUTING UNBRACED PILE LENGTH = 1.0
- SCOUR DEPTH = NOT CALCULATED
- DISTANCE FROM GROUND LINE TO PILE FULLY FIXED = 10 FEET
- FACTOR OF SAFETY FOR UNSECURED CONDITION = 2.0
- FREE STANDING LENGTH = 23 FEET*

THE DESIGNER OF RECORD IS RESPONSIBLE FOR DETERMINING ACTUAL PILE SIZE FOR CONDITIONS NOT SATISFIED BY THE ABOVE NOTED DESIGN PARAMETERS.

* LENGTH FROM POINT OF FIXITY TO UNDERSIDE OF CAP.



457 St. Michael St. Mobile, AL 36602 (251) 433-1611

Cowles, Murphy, Glover & ASSOCIATES
A Full Service Engineering Firm
PERFORMANCE RELIABILITY EXPERIENCE

11880 Cranston Dr. Suite 102 Arlington, TN 38002 (901) 290-5444

CONECUH BRIDGE & ENGINEERING, INC
P. O. Box 129 Troy, Alabama 36081
249 Pike County Lake Rd. Troy, Alabama 36079
334-566-7422

PRECAST CONCRETE BENT CAP FOR USE WITH 14"x14" CONCRETE PILING & 24', 34', OR 40' PRECAST BRIDGE SLABS 28'-0" CLEAR ROADWAY

DATE: 12/05/2022	STANDARD DWG. NO. PCB-2840-CP LRFD SHEET NO. 18 OF 27
---------------------	---