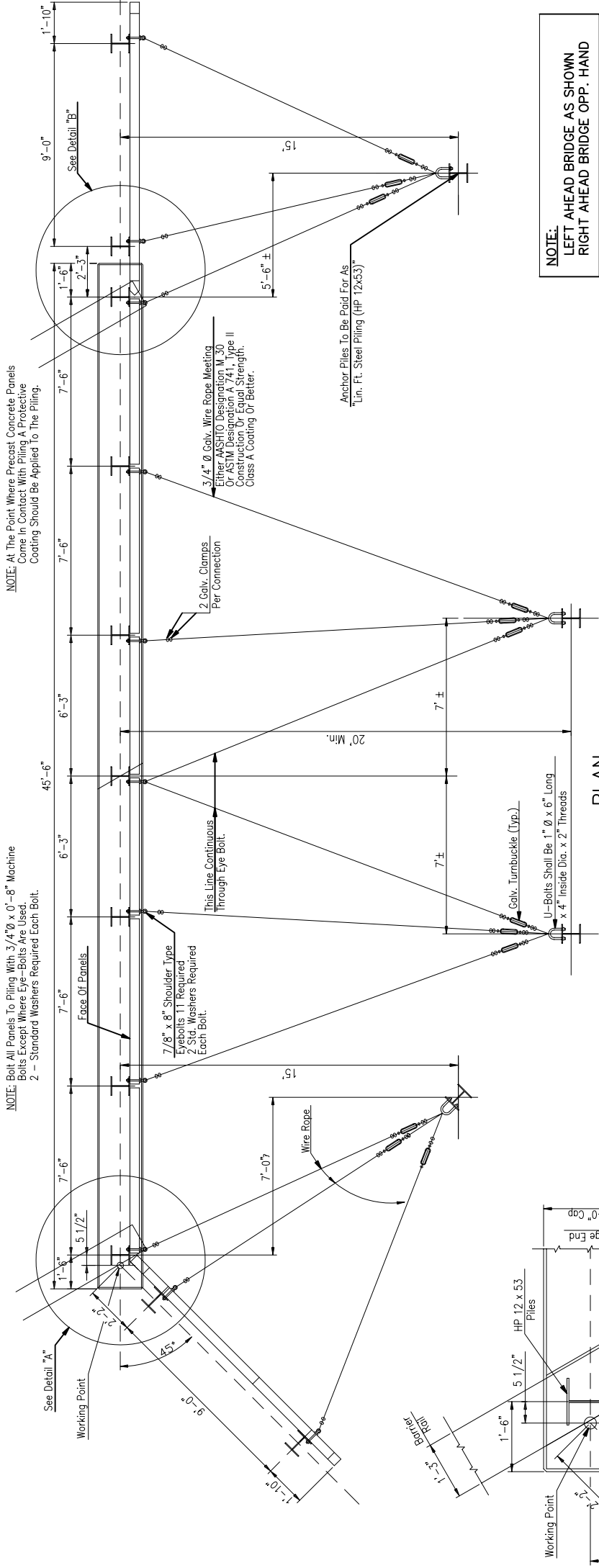


NOTE: Bolt All Panels To Piling With 3/4" x 8" Machine Bolts Except Where Eye-Bolts Are Used.
2 - Standard Washers Required Each Bolt.

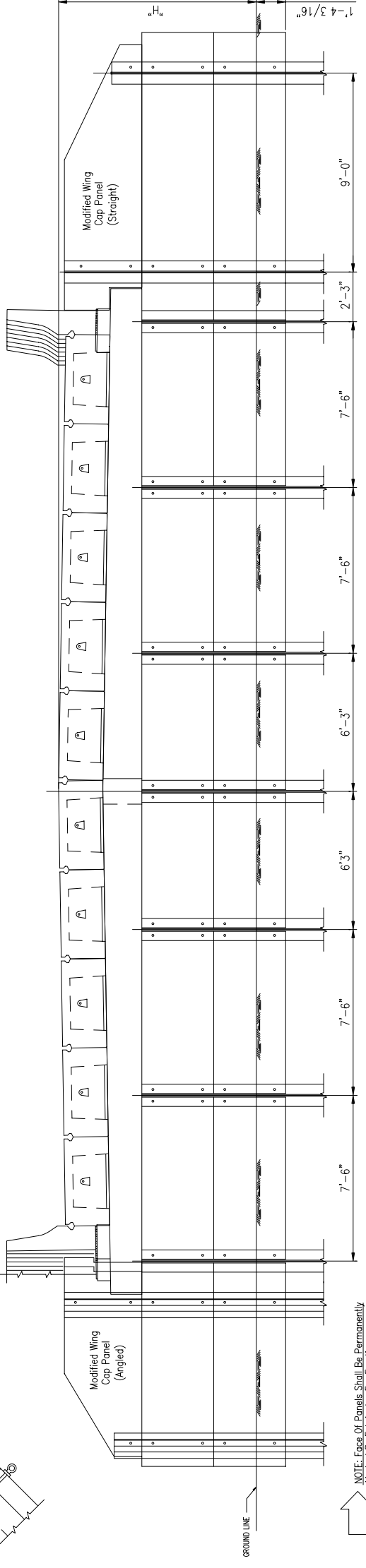
NOTE: At The Point Where Precast Concrete Panels Come In Contact With Piling A Protective Coating Should Be Applied To The Piling.



NOTE:
LEFT AHEAD BRIDGE AS SHOWN
RIGHT AHEAD BRIDGE OPP. HAND

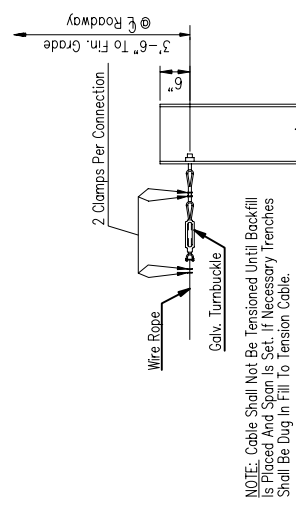
PLAN

DETAIL "A"



NOTE: Face Of Panels Shall Be Permanently Marked By Fabricator For Erection.

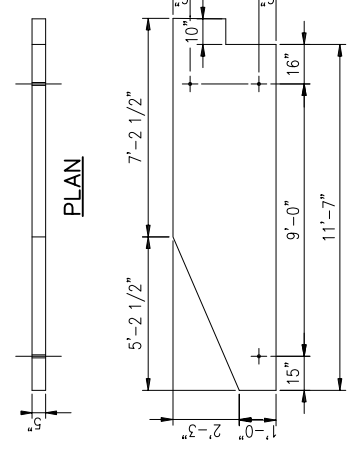
ELEVATION



NOTE: Cable Shall Not Be Tensioned Until Backfill Is Placed And Span Is Set. If Necessary Trenches Shall Be Dug In Fill To Tension Cable.

PART ELEVATION OF PILE ANCHOR

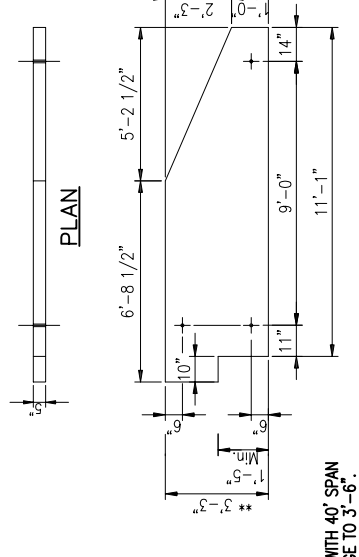
NOTE: THE CONTRACTOR SHALL HAVE THE OPTION OF ATTACHING THE TURNBUCKLE DIRECTLY TO THE U-BOLT ON THE ANCHOR PILE.



PLAN

ELEVATION

MODIFIED WING CAP PANEL (ANGLED)

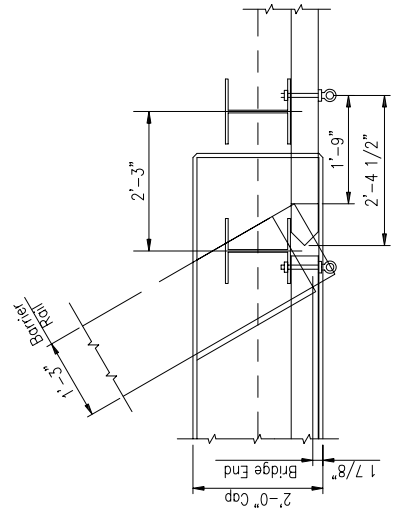


PLAN

ELEVATION

MODIFIED WING CAP PANEL (STRAIGHT)

** NOTE: WHEN USED WITH 40' SPAN BRIDGE, CHANGE TO 3'-6\"/>



DETAIL "B"

GENERAL NOTES

- SPECIFICATIONS:**
AASHTO STANDARD SPECIFICATIONS FOR HIGHWAY BRIDGES
AASHTO STANDARD SPECIFICATIONS FOR TRANSPORTATION MATERIALS
AMERICAN SOCIETY FOR TESTING AND MATERIALS
- CONCRETE:**
CONCRETE SHALL CONFORM TO AASHTO CLASS AE WITH A MINIMAL 28 DAY BREAKING STRENGTH OF 3000 PSI. ALL EXPOSED CORNERS SHALL BE ROUNDED TO A 1/4" RADIUS UNLESS OTHERWISE NOTED.
- REINFORCING:**
ALL REINFORCING STEEL SHOULD BE ACCURATELY LOCATED IN THE FORMS AND FIRMLY HELD IN PLACE. REINFORCING STEEL SHALL MEET THE REQUIREMENTS OF THE APPROPRIATE SECTION OF AASHTO M31, AASHTO M32, AASHTO M21 OR AASHTO M25.
REINFORCING DIMENSIONS ARE TO THE C/S OF BARS UNLESS OTHERWISE NOTED.
THE ABOVE STEEL WILL NOT BE PAID FOR DIRECTLY, BUT WILL BE CONSIDERED AS SUBSIDIARY TO THE ITEM OF PRECAST CONCRETE ABUTMENT PANELS.
- HARDWARE:**
ALL MACHINE BOLTS CONNECTING CONCRETE ABUTMENT PANELS TO PILING SHALL BE CONSIDERED INCIDENTAL TO THE WORK.
ALL BOLTS SHALL CONFORM TO ASTM A-307 AND BE GALVANIZED IN ACCORDANCE WITH ASTM A-153.
- BID ITEMS:**
____ PRECAST CONCRETE ABUTMENT PANELS, TYPE _____ - EACH.
____ PRECAST CONCRETE WING PANELS TYPE _____ - EACH.
____ PRECAST CONCRETE ABUTMENT WING CAP PANELS - EACH.
____ PRECAST CONCRETE ABUTMENT WING CAP PANELS, SPECIAL - EACH.
____ WIRE ROPE ABUTMENT ANCHOR ASSEMBLY - PER EACH.
- DESIGN DATA:**
f_c = 1200 PSI; f_s = 24,000 PSI; N = 10

NOTE: REFER TO STANDARD DRAWING PCP-2400 & PCP-2800 FOR ABUTMENT & WING PANEL DETAILS NOT SHOWN HEREON.

CBE CONECUH BRIDGE & ENGINEERING, LLC
P. O. Box 129
Troy, Alabama 36081
334-566-7422

249 County Rd. 2227
Troy, Alabama 36079

PRECAST CONCRETE ABUTMENT PANELS
FOR USE WITH 32' & 40'
PRECAST CONCRETE SPANS
35'-0" CLEAR ROADWAY ON 30' SKEW

DATE: 7/18/03
STANDARD DWG. NO. PCP-3500 -30
SHEET NO. 1 OF 1