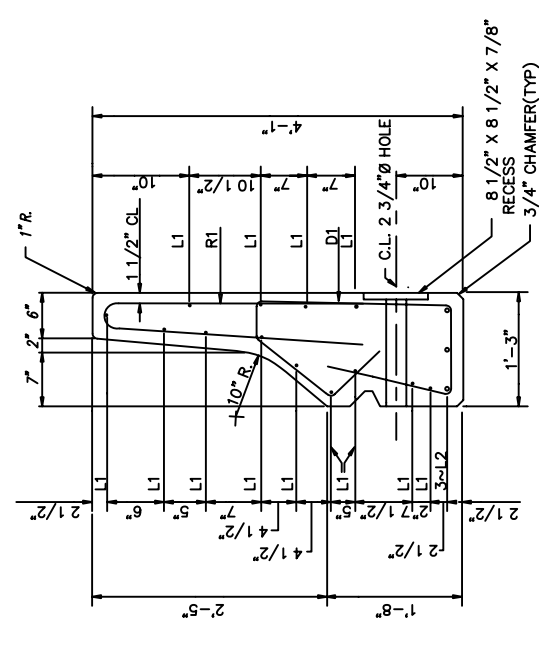
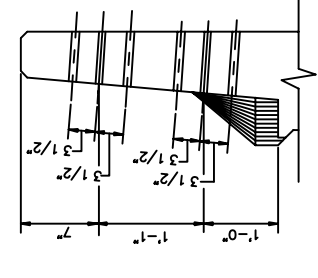


KEYWAY DETAIL

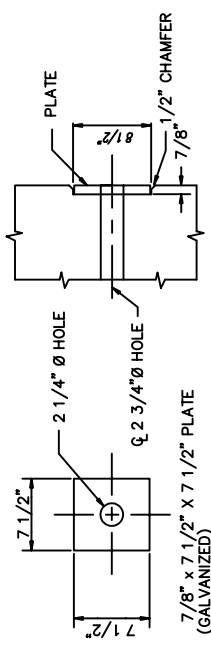


TYPICAL SECTION

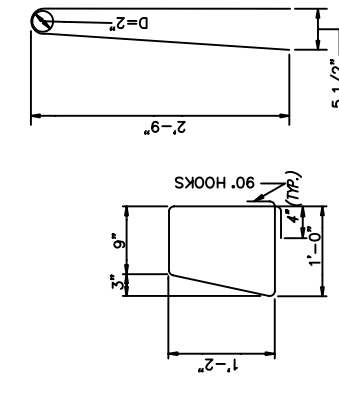


GUARD RAIL ATTACHMENT
FOR TYPE 13 ANCHOR
SEE END ELEVATION THIS SH. FOR
DETAILS & DIMENSIONS NOT SHOWN.

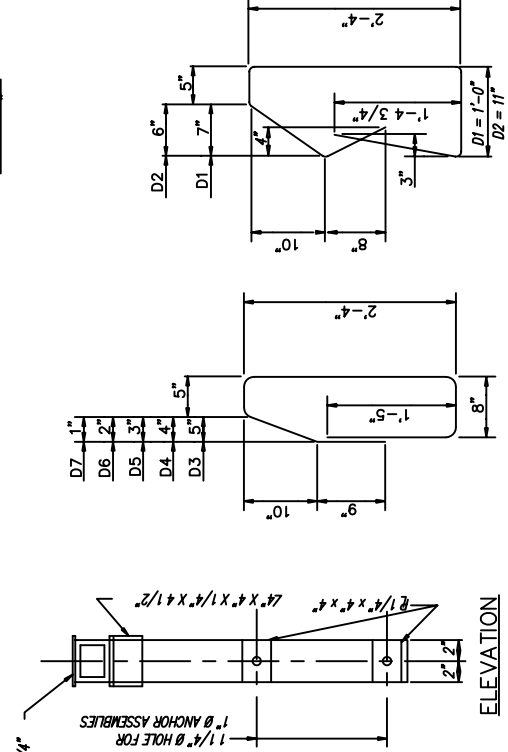
GENERAL NOTES
 SPECIFICATIONS:
 AASHTO STANDARD SPECIFICATIONS FOR HIGHWAY BRIDGES
 AASHTO STANDARD SPECIFICATIONS FOR TRANSPORTATION MATERIALS
 AMERICAN SOCIETY FOR TESTING AND MATERIALS
 DESIGN LOADING: AASHTO HS 20-44
 REINFORCING STEEL: ALL REINFORCING STEEL SHALL BE BILLET STEEL MEETING THE REQUIREMENTS OF AASHTO M31 OR ASTM A165. BARS TYPE L SHALL BE GRADE 60. ALL OTHER REINFORCING BARS SHALL HAVE MINIMUM STRENGTH OF GRADE 40.
 CONCRETE: CONCRETE SHALL CONFORM TO AASHTO CLASS AE WITH A MINIMAL 28 DAY BREAKING STRENGTH OF 5000 PSI.
 SURFACE FINISH: FINISH FOR RAILING SHALL BE IN ACCORDANCE WITH SECTION 8.10.1, DIVISION II - CONSTRUCTION, AASHTO STANDARD SPECIFICATIONS FOR HIGHWAY BRIDGES, 1996 EDITION, ADDITIONALLY THE TRAFFIC SIDE, TOP, AND BACK OF THE RAIL MUST BE COATED WITH A PRODUCT SUCH AS THOROCOAT AS PRODUCED BY CHEMREX, INC. OR EQUAL.



ANCHOR PLATE DETAIL



PICKUP POINTS



HANDLING DEVICE

CR&E CONECUH BRIDGE & ENGINEERING, LLC
 P. O. Box 129
 Troy, Alabama 36081
 334-566-7422

249 County Rd. 2227
 Troy, Alabama 36079
 334-566-7422

PRECAST CONCRETE BARRIER RAIL
 FOR USE WITH
 PRECAST SLAB STANDARD
 PC-34-2

DATE: 7/18/03
 STANDARD DWG. NO. PCBR-1(34)
 SHEET NO. 1 OF 1

DIMENSIONS ARE OUT TO OUT
 BAR BENDING DETAILS
 BARS D1-D2-#4
 BARS D3-D7-#4
 BARS S1-#4
 BARS R1-#4